



100 Royal Way
 Temple, GA 30179
 Phone (800) 520-6593

SPECIFICATION DATA SHEET

Date:1/27/14

MODEL No.IT
Insulated Wye Assembled

DIMENSIONAL DATA

<u>Collar Size A</u>	<u>Collar Size B & C</u>
7"	5",5"
8"	6",6"
9"	7",7"
10"	8",8"

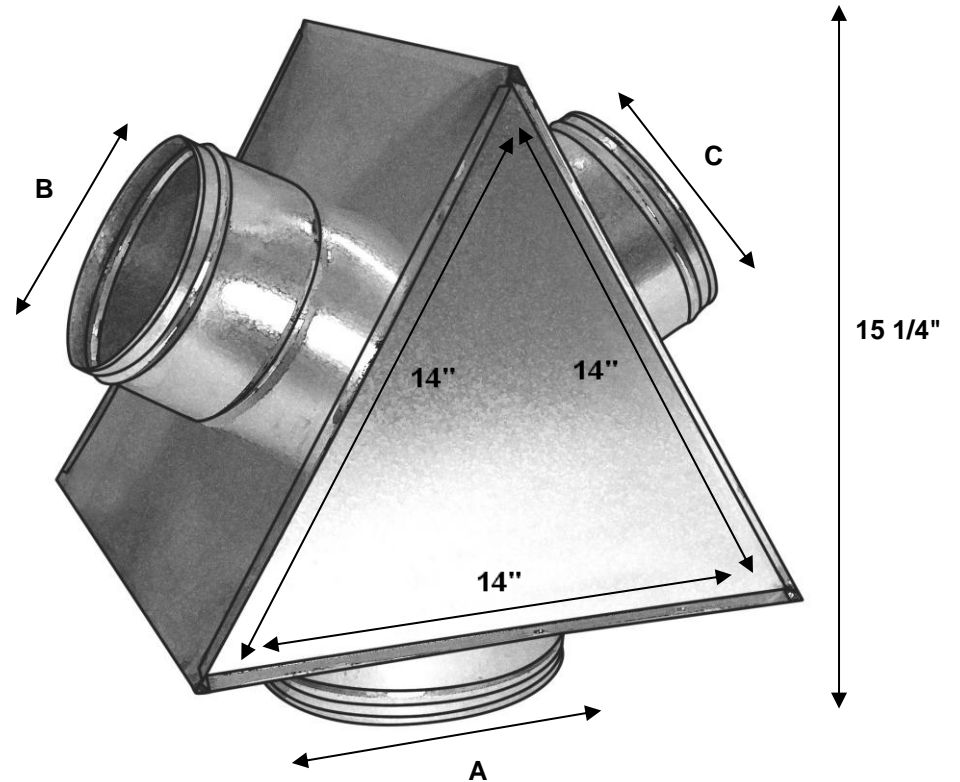
FABRICATION DATA

Material:
 ASTM-A653 CS Type B Galvanized Steel,
 G-30 Coating LFG Chemical Treatment

Gauge: 28GA

Insulation:
 Linacoustic RC manufactured by Johns Manville.
 Available Thickness: R4 - 1", R6 - 1 1/2"
 Specs available upon request

Assembly:
 Assembled with button punch snaplock seams and 1/8" x 5/32" zinc coated steel rivets. The collar is 3 1/2" tall roll formed 30GA Steel with 1/4" roll formed beading.



Superior Quality, Superior Service, Superior Value.. that's the Royal Advantage