



100 Royal Way
Temple, GA 30179
Phone (800) 520-6593

SPECIFICATION DATA SHEET

Date:1-27-14

MODEL No. 701 Spin-in w/ Scoop for Metal

DIMENSIONAL DATA

A
Diameter Size 4" - 20"

FABRICATION DATA

Material:

ASTM-A653 CS Type B Galvanized Steel
G-30 Coating LFQ Chemical Treatment

Gauge: 4" - 9" 30GA
10" - 20" 28GA

Assembly:

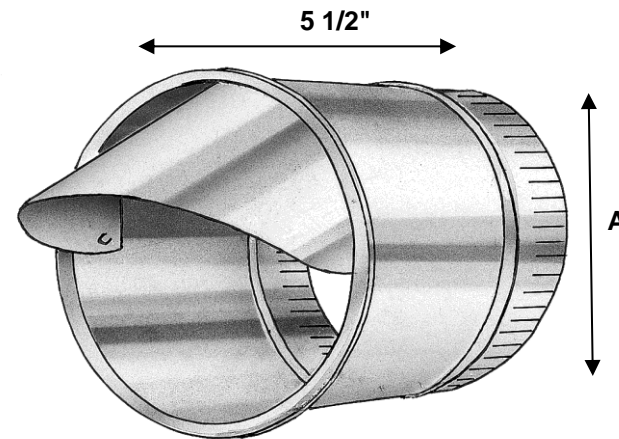
Assembled with 1/8" x 1/8" zinc coated steel rivets

Spin-in:

Roll formed for use in metal plenums with v-notch

Insulation:

To be wrapped with fiberglass insulation by contractor



*Note: Ordered by Diameter

Superior Quality, Superior Service, Superior Value.. that's the Royal Advantage