



100 Royal Way  
Temple, GA 30179  
Phone (800) 520-6593

## SPECIFICATION DATA SHEET

Date:1-27-14

**MODEL No. 601**  
**Spin-in w/ Scoop for Duct Board**

### DIMENSIONAL DATA

**A**  
Diameter Size 4" - 20"

### FABRICATION DATA

#### **Material:**

ASTM-A653 CS Type B Galvanized Steel  
G-30 Coating LFQ Chemical Treatment

**Gauge:** 4" - 9" 30GA  
10"-20" 28GA

#### **Assembly:**

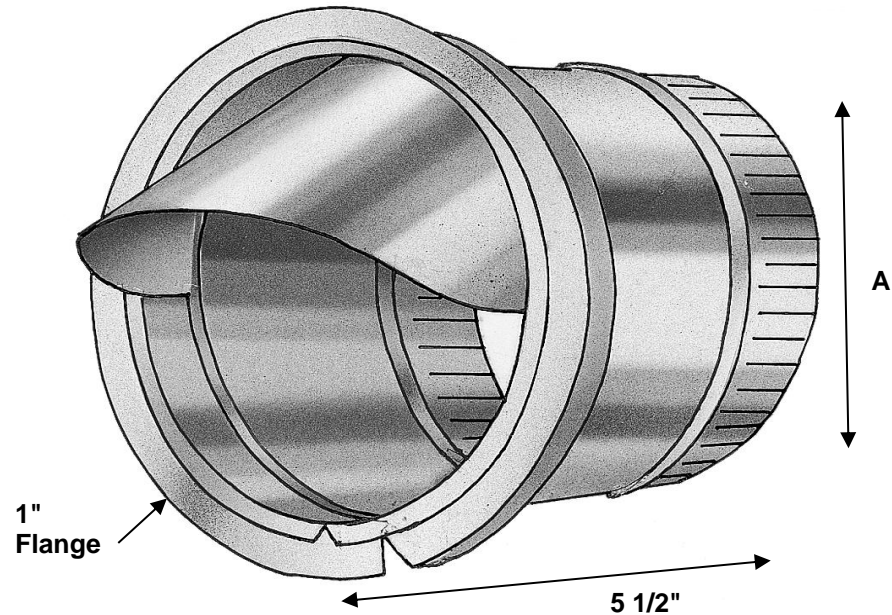
Assembled with 1/8" x 1/8" zinc coated steel rivets

#### **Twist-Loc:**

1" Flanged rings for use with duct board plenums

#### **Insulation:**

To be wrapped with fiberglass insulation by contractor



**\*Note: Ordered by Diameter**

**Superior Quality, Superior Service, Superior Value.. that's the Royal Advantage**