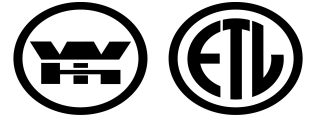




CEILING RADIATION DAMPER
 FOR WOOD TRUSS CEILING ASSEMBLIES
 ETL CLASSIFIED UL263/E119
 INCORPORATES ETL CLASSIFIED UL555C DAMPER
 GRILLE MOUNT * FIBERGLASS PLENUM * SIDE INLET
MODEL: 557RD



Intertek

QUALIFICATIONS:

ETL CLASSIFIED UL263/E119 CEILING DAMPER

Approved for use in 1 hour fire rated floor/ceiling and roof/ceiling assembly constructed in accordance with material and construction specifications of UL design number: L521, L528, L546, L550, L558, L562, L563, L570, L574, L579, L585, L586, M503, P522, P531, P533, P538, P545, P547, P548, and P552.

Incorporates ETL Classified UL555C evaluated ceiling damper.

Meets NFPA 90A requirements.

DESCRIPTION:

Ceiling dampers are designed to function as a heat barrier in air handling openings penetrating fire resistive membrane ceilings. The Model Series 557RD has been especially designed and tested to provide protection and simple installation in specific design wood truss ceiling assemblies. The 557RD assembly consists of a rectangular ceiling damper recessed in a fiberglass plenum (boot/register box) by others that accommodates a steel grille, register or diffuser.

CONSTRUCTION:

1. Listed fusible link, 212°F (100°C) standard.
2. Blades: 21 GA G60 roll-formed galvanized steel.
3. Blade insulation: Non-asbestos Classified.
4. Damper frame: 21 GA G60 galvanized steel.
5. Fiberglass plenum (by Royal or others). 1" thick fiberglass duct board with fire resistant foil-scrim-facing. 181 Class I Classified. Assembled with listed fire resistant tape.
6. Cutting and installation of collar for Classified Class 0 or I flexible air duct connection by others.
7. Damper sub-frame with plaster flange. 24 GA max galvanized steel.
8. Steel grille/register/diffuser By others. Bottom of damper sub-frame is flush with ceiling. Standard depth for grille clearance is 2 1/2".

OPTIONS:

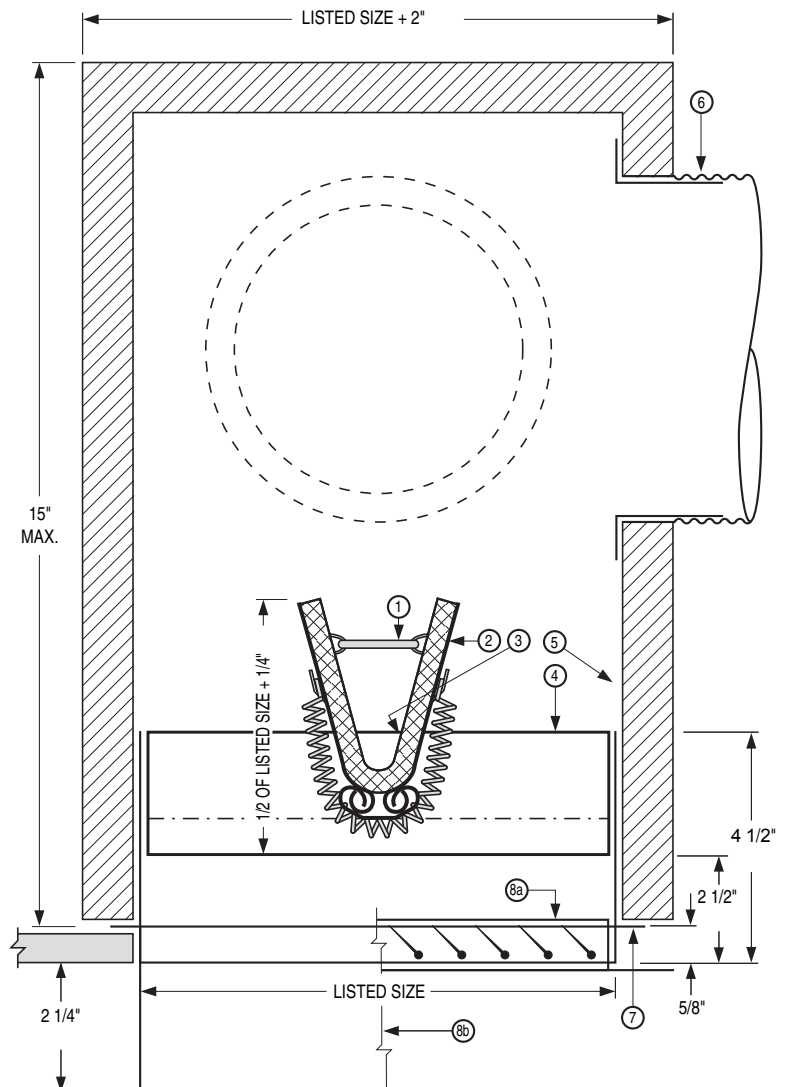
1. Non-standard temp. listed fusible link, 165° F (74° C)
2. Installation support angles. 26" long
 - * 2 @ 1-1/2" x 1-1/2" 22 GA angle
 - * 2 @ standard boot rail

NOTES:

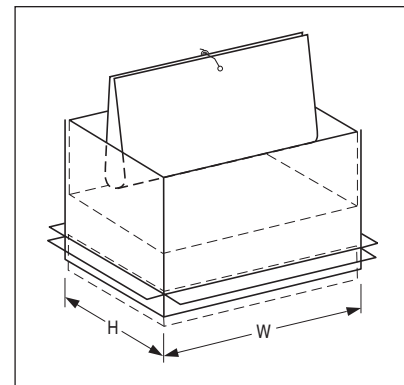
Minimum Size: 4" W x 4" H

Maximum Area Size: 256 square inches

(No one dimension greater than 16")



1" X 1" FLANGE



Dimensions are in inches

MODEL 557RD