



100 Royal Way  
 Temple, GA 30179  
 Phone (800) 520-6593

**SPECIFICATION DATA SHEET**

**MODEL No. 507**  
**45Deg Slant Top**  
**Insulated Box**

Date:12-8-14

**DIMENSIONAL DATA**

<u>Register</u>	<u>Collar</u>	<u>R4/R6 Insulation</u>		<u>R8 Insulation Actual</u>	
<u>Size</u>	<u>Size</u>	<u>Actual Dimensions</u>		<u>Dimensions</u>	
		<u>AxB</u>	<u>C</u>	<u>AxB</u>	<u>C</u>
8x4	4,5	10x6	8 1/2"	11x7	7 1/4"
10x4	4,5,6	12x6	8 1/2"	13x7	8 1/2"
10x6	5,6,7	12x8	8 1/2"	13x9	8 1/2"
12x4	7	14x6	9"	15x7	8 1/2"
12x6	6,7,8	14x8	8 1/2"	15x9	8 1/2"
14x4	7,8	16x6	10 1/2"	17x7	12 1/4"
14x6	8	16x8	9"	17x9	9 1/4"

**FABRICATION DATA**

**Material:**

ASTM-A653 CS Type B Galvanized Steel,  
 G-30 Coating LFQ Chemical Treatment

**Gauge:** 30GA

**Assembly:**

Ceiling boot assembled with C-115 2/16" zinc coated steel rivets,  
 has a rectangular opening with a 1" 90 deg outboard flange and  
 1/2" drywall flange. The collar is 3 1/2" tall roll formed 30GA steel with  
 1/4" roll formed beading.

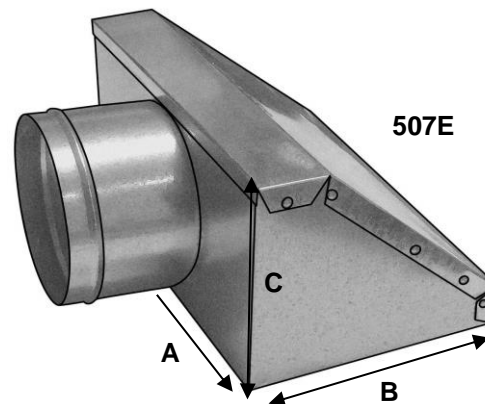
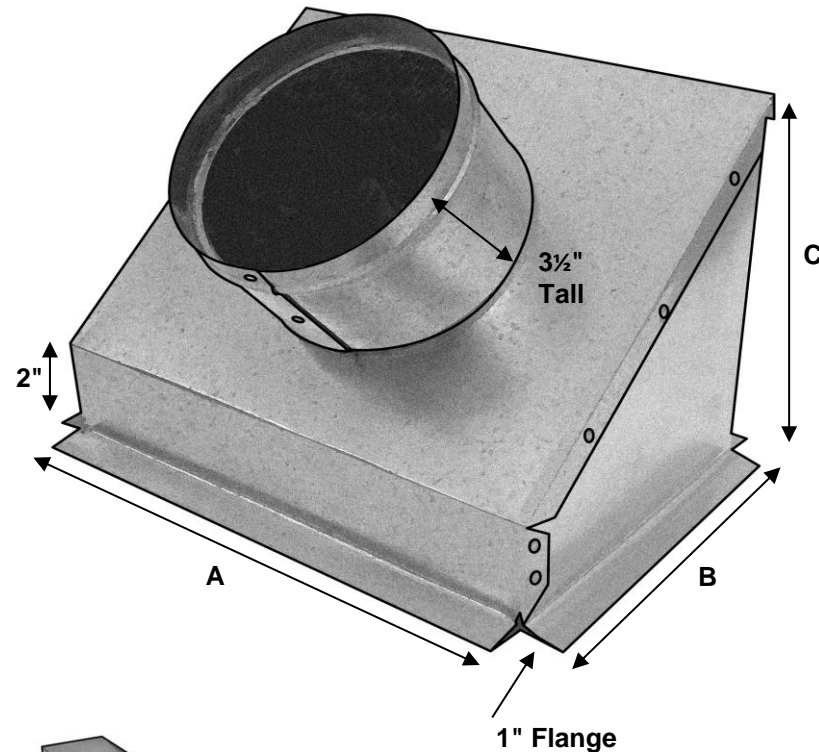
**Insulation:**

Knauf Equipment Liner M with ECOSE® Technology  
 Available Thickness: R4 - 1", R6 - 1 1/2", & R8 - 2"

ASTM C 1071, Type I, Flexible (replaces obsolete Federal  
 Specification HH-I-545B.) NFPA 90A/90B, ASTM C 665/1617  
 Temperature Range (ASTM C 411), Microbial Growth  
 (ASTM C1338, G21)

**OPTIONS**

- 507DB: Duct Board top (*SuperDuct RC top only*)
- 507NF: No Flange
- 507E: End Outlet



**Superior Quality, Superior Service, Superior Value.. that's the Royal Advantage**