



100 Royal Way
Temple, GA 30179
Phone (800) 520-6593

SPECIFICATION DATA SHEET

Date: 12/4/2019

MODEL No. 489SDK COLD AIR DROP ASSEMBLY

DIMENSIONAL DATA

<u>A</u>	<u>B</u>	<u>C</u>	<u>D</u>
8	20	16	20
8	24	16	24
10	20	16	20
10	25	16	25
10	24	16	25

FABRICATION DATA

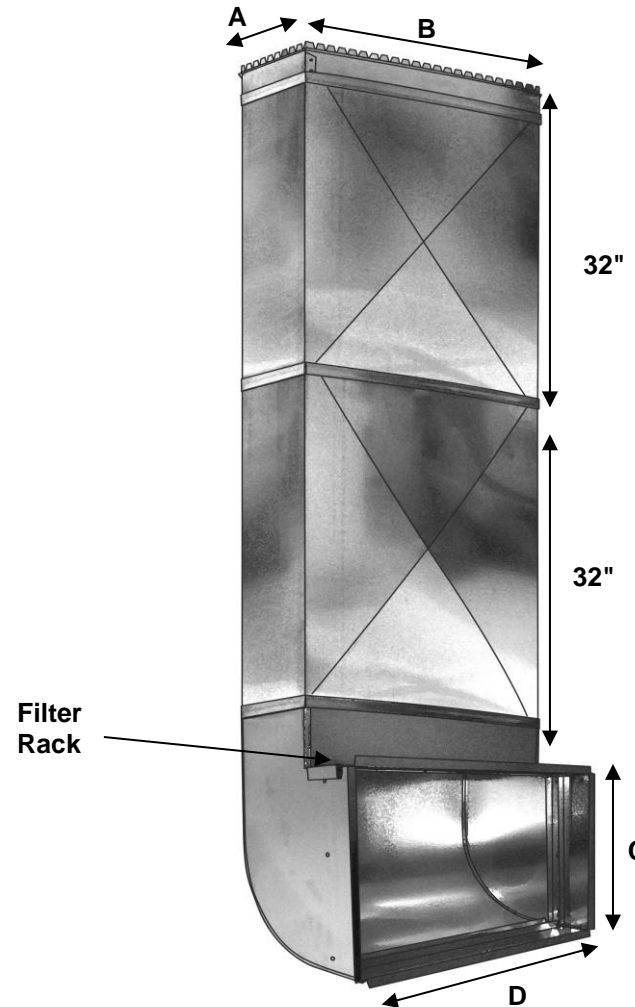
Material:

ASTM-A653 CS Type B Galvanized Steel,
G-30 Coating LFQ Chemical Treatment

Gauge: 26GA

Features:

Kit includes starting collar, 2 sections of duct, and cold air boot with filter rack.



Superior Quality, Superior Service, Superior Value.. that's the Royal Advantage