



100 Royal Way
 Temple, GA 30179
 Phone (800) 520-6593

SPECIFICATION DATA SHEET

Date: 11-10-14

MODEL No. 430
Horizontal 90deg Elbow for
Rectangular Duct & Wall Stack

DIMENSIONAL DATA

<u>For Wall Stack:</u>			<u>For Rectangular Duct</u>		
<u>A</u>	<u>B</u>	<u>C</u>	<u>A</u>	<u>B</u>	<u>C</u>
3 1/4"	8	12 3/4	8, 10	10	14 5/8
3 1/4"	10	14 5/8	8, 10	12	16 5/8
3 1/4"	12	16 1/2	8, 10	14	18 3/4
3 1/4"	14	18 3/4	8, 10	16	20 3/4
			8, 10	18	22 1/2
			8, 10	20	24 1/2
			8, 10	22	26 1/2
			8, 10	24	28 3/4
			8, 10	26	30 5/8
			8, 10	28	32 1/2
			8, 10	30	34 1/8

FABRICATION DATA

Material:
 ASTM-A653 CS Type B Galvanized Steel,
 G-30 Coating LFQ Chemical Treatment

Standard Gauge: 26GA

Assembly:
 The elbows are assembled by using a roll formed
 hammer lock to secure the back and throat.

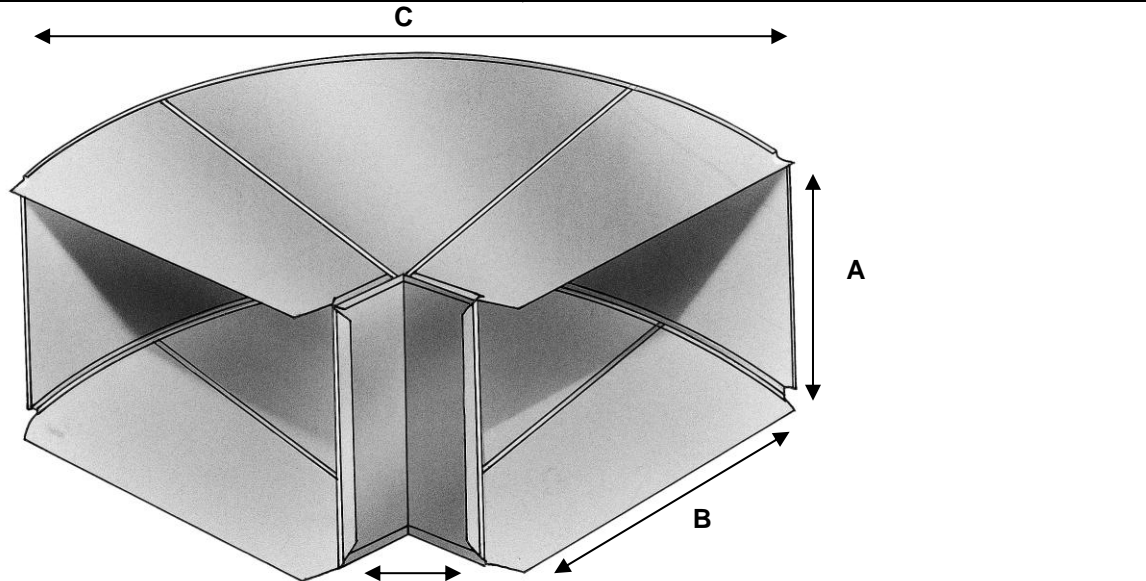
FEATURES

S-locks and Drives are included with all rectangular duct

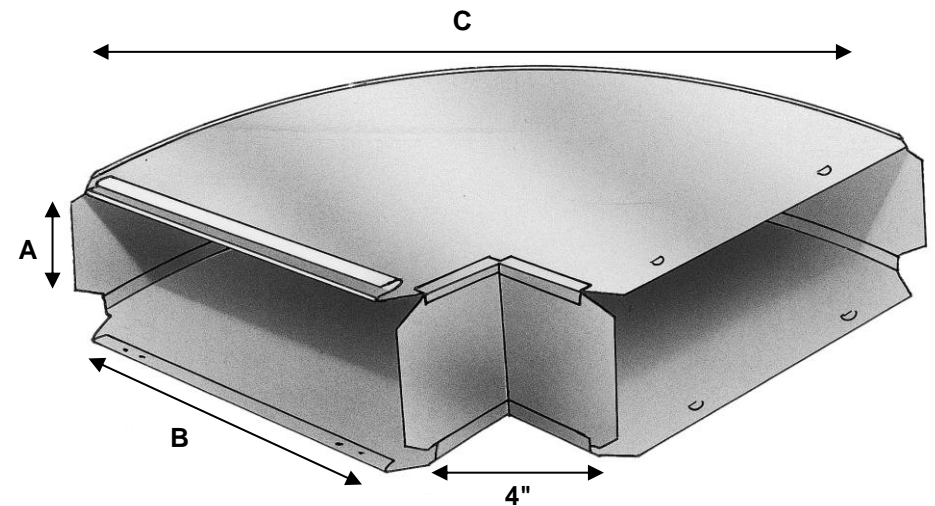
S-locks rails are roll formed on to secure wall stack
 to the elbow during installation

OPTIONS

Additional Sizes Available for Rectangular Duct



*Shown w/optional square throat



Superior Quality, Superior Service, Superior Value.. that's the Royal Advantage