



100 Royal Way
 Temple, GA 30179
 Phone (800) 520-6593

SPECIFICATION DATA SHEET

Date: 2-25-14

MODEL No. 417
Rect Reducer

DIMENSIONAL DATA

<u>A X B</u>	<u>C X D</u>
8 X 10	8 X 8
8 X 12	8 X 10
8 X 12	8 X 8
8 X 14	8 X 10
8 X 14	8 X 12
8 X 16	8 X 12
8 X 16	8 X 14
8 X 20	8 X 16

FABRICATION DATA

Material:

ASTM-A653 CS Type B Galvanized Steel,
 G-30 Coating LFQ Chemical Treatment

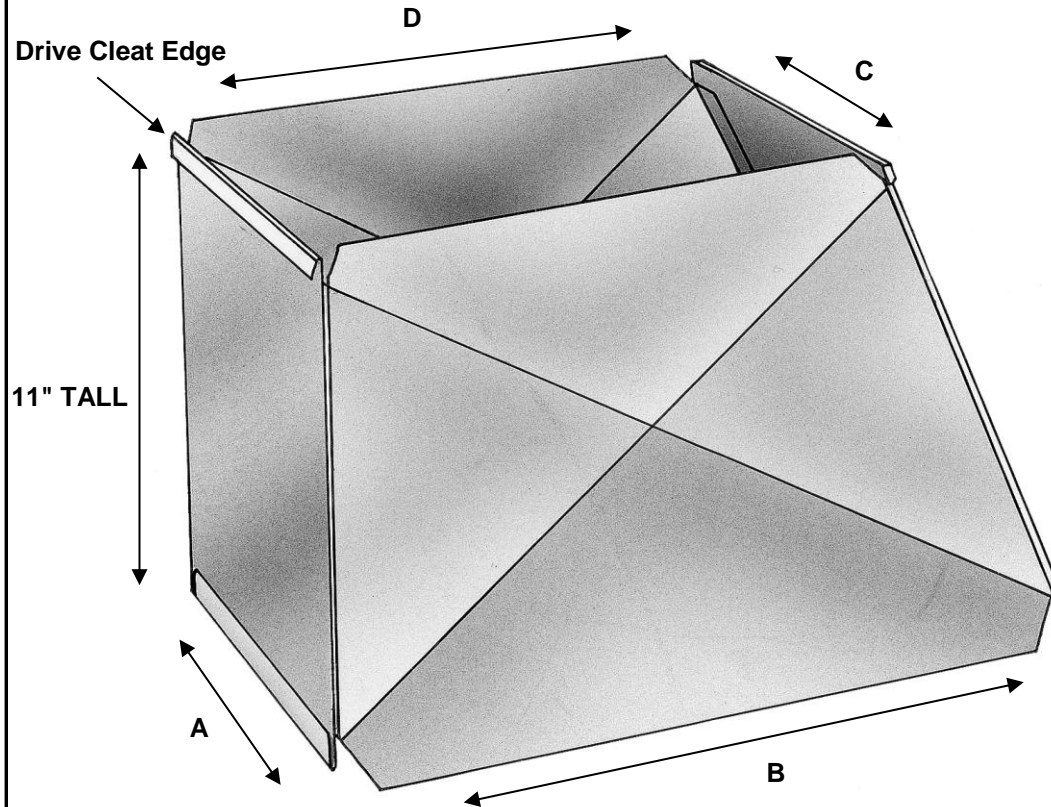
Gauge: 26GA

Assembly:

The reducer is assembled by using a roll formed hammer lock to secure the back and throat.

Options:

Various sizes availavle



Superior Quality, Superior Service, Superior Value.. that's the Royal Advantage