



100 Royal Way
 Temple, GA 30179
 Phone (800) 520-6593

SPECIFICATION DATA SHEET

Date: 11-11-2014

**MODEL No. 357 90 Degree
 Ceiling Boot w/ Frame**

DIMENSIONAL DATA

<u>A</u>	<u>B</u>	<u>C</u>
<u>Register</u>	<u>Collar</u>	<u>Total Height</u>
4" x 8"	4",5"	10"
4" x 10"	4", 5", 6"	10"
4" x 12"	6"	10 1/2"
4" x 12"	7"	11 1/4"
4" x 12"	8"	13
4" x 14"	8"	13
6" x 8"	6"	10"
6" x 10"	5"	10"
6" x 10"	6"	10"
6" x 10"	7"	10"
6" x 12"	7"	10 1/2"
6" x 12"	8"	10 1/2"
6" x 12"	9"	13"
6" x 14"	7"	13"
6" x 14"	8"	13"

FABRICATION DATA

Material:

ASTM-A653 CS Type B Galvanized Steel, 30GA
 G-30 Coating LFQ Chemical Treatment

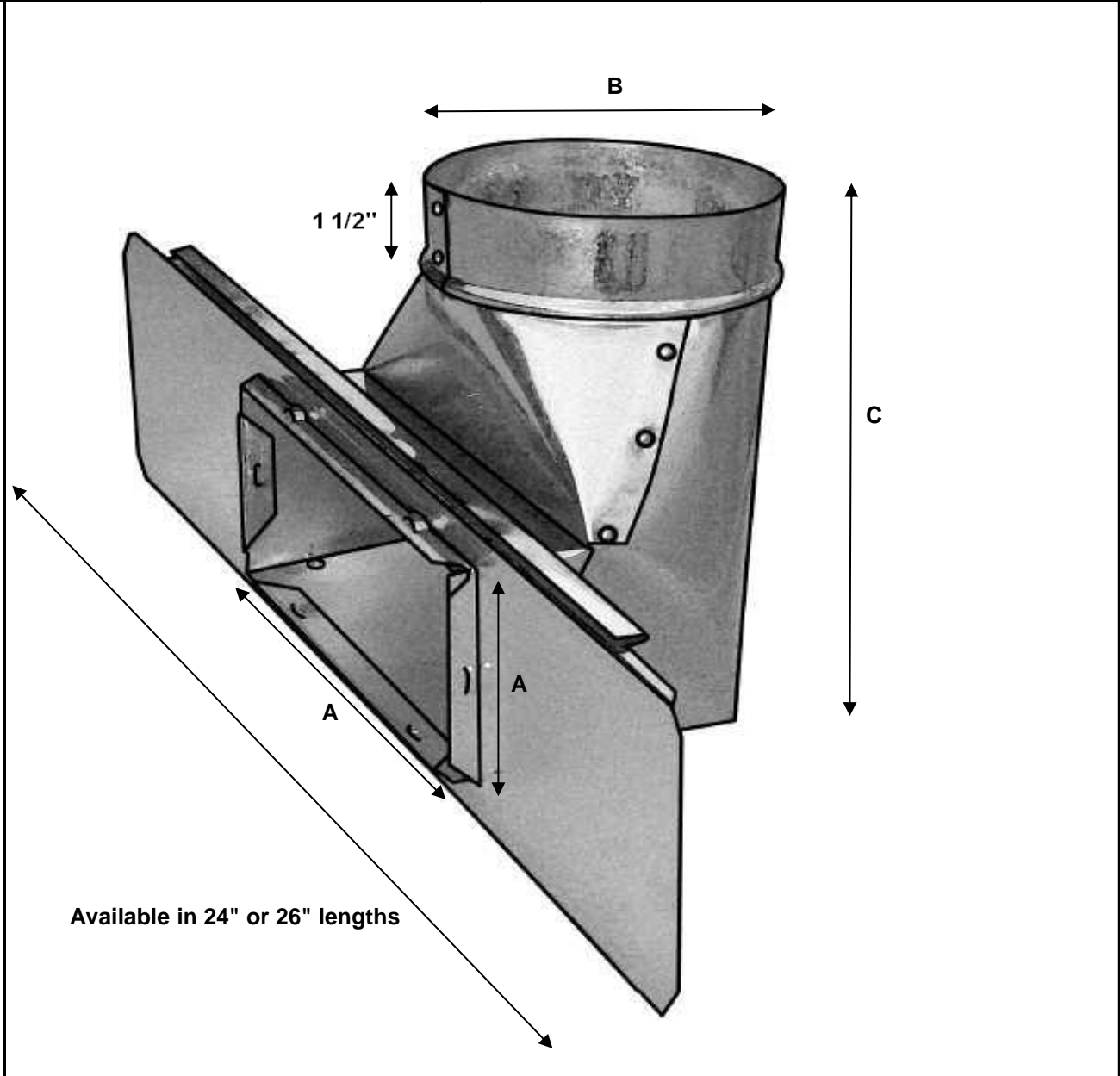
Gauge: 30GA

Assembly:

Assembled with C-115 2/16 zinc coated steel rivets
 with an 1/8" hem on both collar and register.

Options:

Plaster Frame is available in 24" or 26" lengths



Superior Quality, Superior Service, Superior Value.. that's the Royal Advantage