



100 Royal Way
Temple, GA 30179
Phone (800) 520-6593

SPECIFICATION DATA SHEET

Date: 8/1/2025

MODEL No. 356 Straight Ceiling Boot w/ Frame

DIMENSIONAL DATA

<u>A</u>	<u>B</u>	<u>C</u>
<u>Register</u>	<u>Collar</u>	<u>Total Height</u>
4" x 8"	4", 5"	8 1/2"
4" x 10"	4", 5", 6"	8 1/2"
4" x 12"	6"	8 1/2"
4" x 12"	7"	8 1/2"
4" x 12"	8"	8 1/2"
4" x 14"	8"	8 1/2"
6" x 8"	6"	8 1/2"
6" x 10"	5"	8 1/2"
6" x 10"	6"	8 1/2"
6" x 10"	7"	8 1/2"
6" x 12"	7"	8 1/2"
6" x 12"	8"	8 1/2"
6" x 12"	9"	8 1/2"
6" x 14"	7"	8 1/2"
6" x 14"	8"	8 1/2"

FABRICATION DATA

Material:

ASTM-A653 CS Type B Galvanized Steel, 30GA
G-30 Coating LFLQ Chemical Treatment

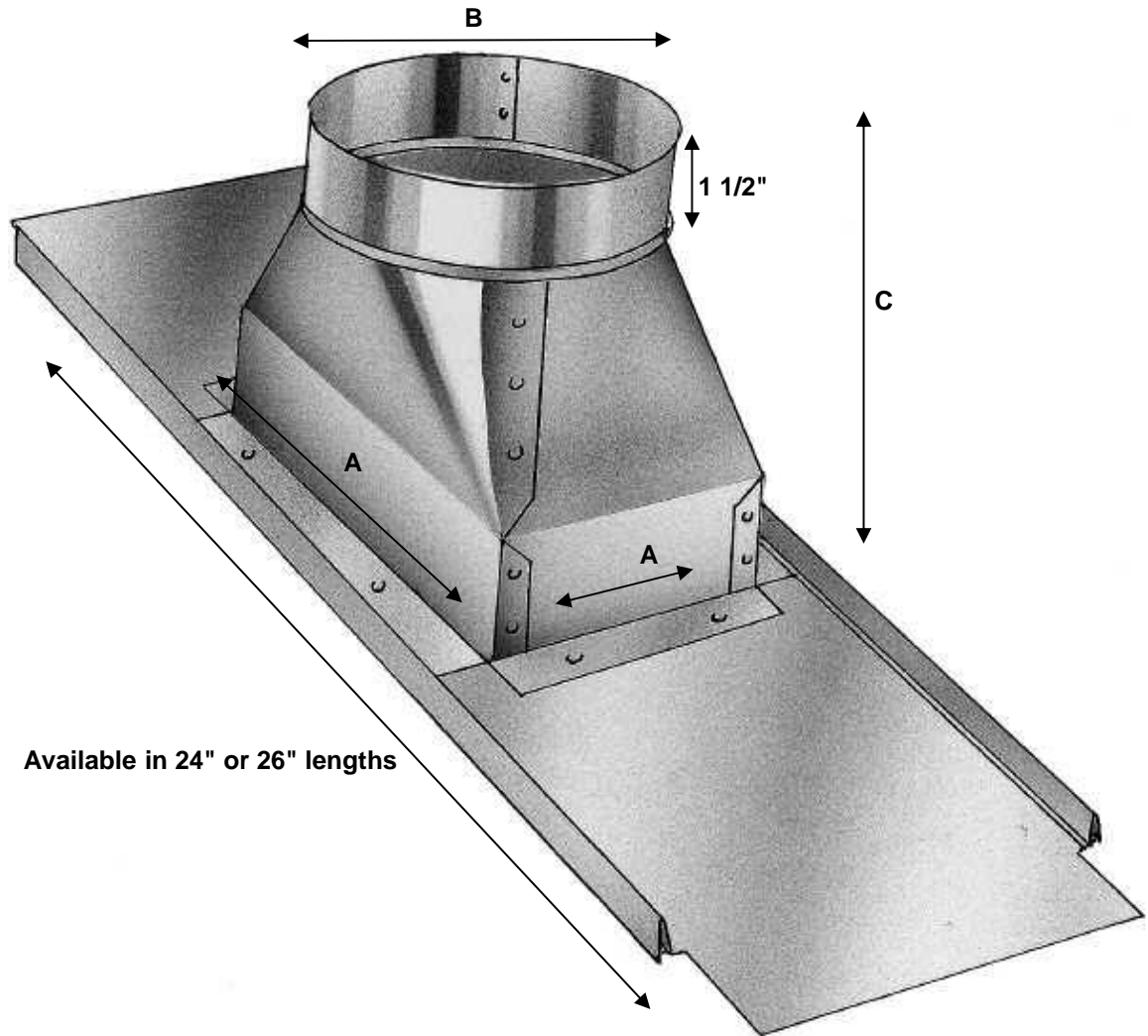
Gauge: 30GA

Assembly:

Assembled with C-115 2/16 zinc coated steel rivets
with an 1/8" hem on both collar and register.

Options:

Plaster Frame is available in 24" or 26" lengths



Superior Quality, Superior Service, Superior Value.. that's the Royal Advantage