



100 Royal Way
Temple, GA 30179
Phone (800) 520-6593

SPECIFICATION DATA SHEET

Date: 8/1/2025

MODEL No. 355FS Side Outlet Diffuser Ceiling Box

DIMENSIONAL DATA

<u>Register</u>	<u>Collar</u>	<u>Height</u>
<u>A</u>	<u>B</u>	<u>C</u>
6	5	6
6	6	7
8	6	7
8	7	8
8	8	9
9	8	9
10	6	7
10	7	8
10	8	9
10	10	11
12	10	11
12	8	9
14	10	11

FABRICATION DATA

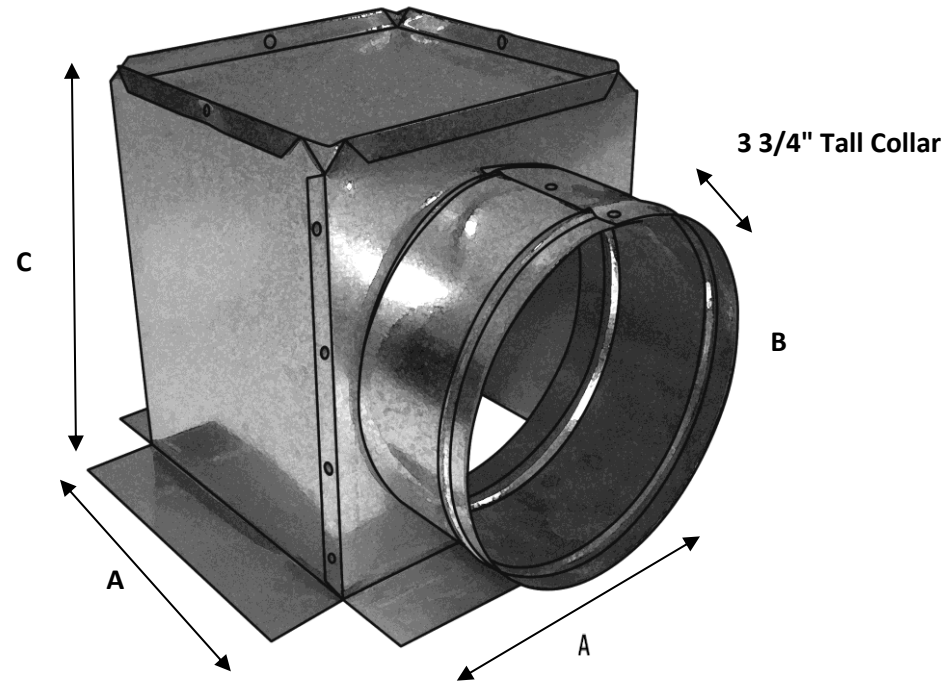
Material:

ASTM-A653 CS Type B Galvanized Steel
G-30 Coating LFQ Chemical Treatment

Gauge: 28GA

Assembly:

Assembled with C-115 2/16 zinc coated steel rivets. A 2" collar with a 1/8" hemmed edge is riveted securely to the box.



Superior Quality, Superior Service, Superior Value.. that's the Royal Advantage