



100 Royal Way
Temple, GA 30179
Phone (800) 520-6593

SPECIFICATION DATA SHEET

Date: 11-25-14

MODEL No. 308-S Top Takeoff

DIMENSIONAL DATA

<u>A</u>	<u>B</u>	<u>C</u>
4	4	4
5	5	5
6	6	6
7	7	7
8	8	8

FABRICATION DATA

Material:

ASTM-A653 CS Type B Galvanized Steel,
G-30 Coating LFQ Chemical Treatment

Gauges:

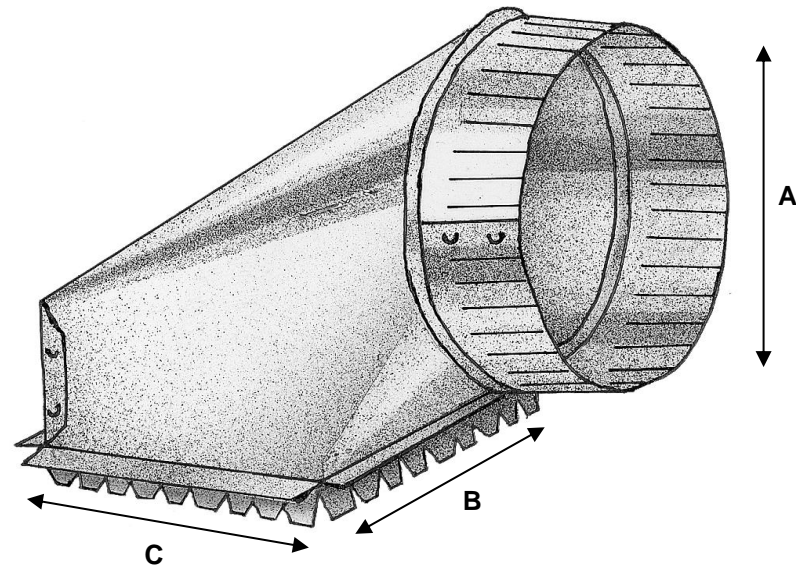
5" through 8" - 30GA

Assembly:

Assembled with C-115 2/16" Zinc coated Steel Rivets.
Tabs are 3/4" and the collar is attached with a colatch bead system.

OPTIONS

- 308SG: with gasket
- 308SDG: with gasket & damper
- 308SDB: for 1 1/2" ductboard
- 308SDDB: for 1 1/2" ductboard w/ damper
- 308SDB1: for 1" ductboard
- 308DDB1: for 1" ductboard w/ damper



Superior Quality, Superior Service, Superior Value.. that's the Royal Advantage