



100 Royal Way
 Temple, GA 30179
 Phone (800) 520-6593

SPECIFICATION DATA SHEET

Date: 11-25-14

MODEL No. 270
Tee Joint

DIMENSIONAL DATA

A	B	C
Size	Length	Height
4"	10	6¾
5"	10	8
6"	11	9
7"	12	9½
8"	18	11
9"	16	12¾
10"	20	14½
12"	22	16½
14"	24	19
16"	24	21
18"	27	23½
20"	29¾	24½

FABRICATION DATA

Material:

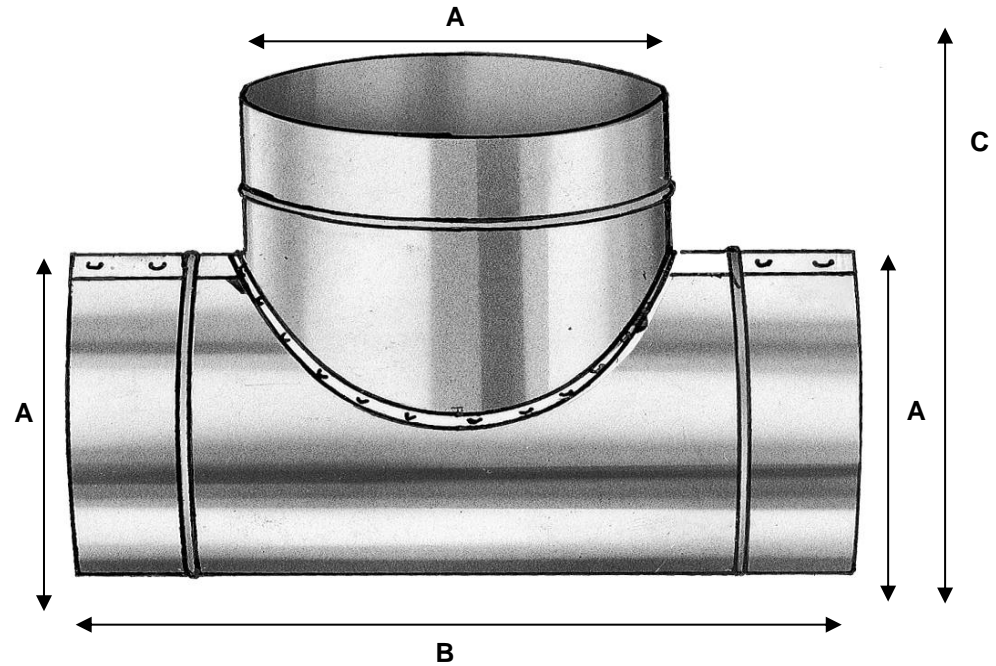
ASTM-A653 CS Type B Galvanized Steel
 G-30 Coating LFQ Chemical Treatment

Size/Gauge:

4 - 8" 28GA
 9 - 10" 28GA
 12 - 16" 26GA
 18 - 20" 24GA

Assembly:

The body of the wye is rolled formed and spot welded together. Collars have a 1/4" roll formed bead.



Superior Quality, Superior Service, Superior Value.. that's the Royal Advantage