



100 Royal Way
 Temple, GA 30179
 Phone (800) 520-6593

SPECIFICATION DATA SHEET

11/10/2014

MODEL No. 261F
Starting Collar for Duct Board

DIMENSIONAL DATA

SIZES AVAILABLE: 4" THROUGH 24" DIAMETER

<u>Size</u>	<u>Total Height</u>	<u>Gauge</u>
4"	6"	30GA
5"	6"	30GA
6"	6"	30GA
7"	6"	30GA
8"	6"	30GA
9"	6"	30GA
10"	6"	28GA
12"	6"	28GA
14"	6"	28GA
16"	6"	28GA
18"	6"	28GA
20"	6"	28GA
22"	6"	28GA
24"	6"	28GA

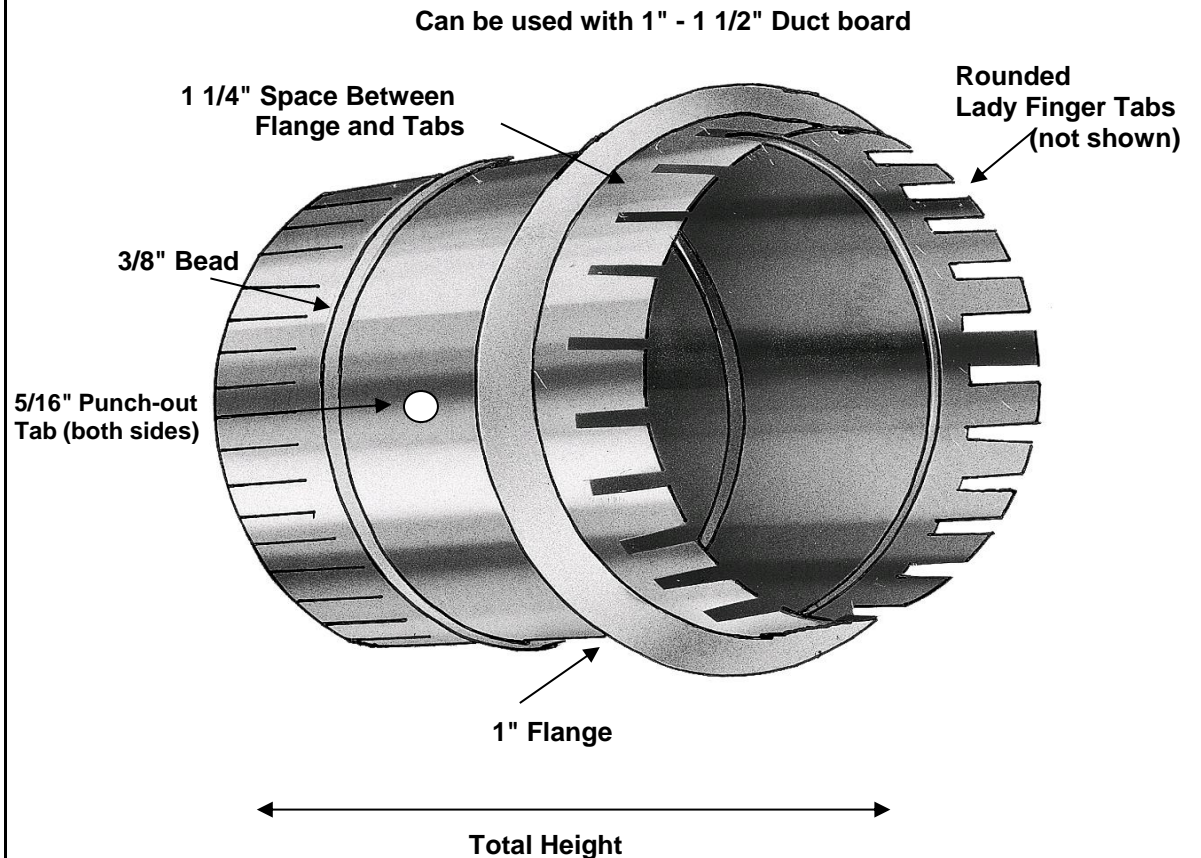
FABRICATION DATA

Material:
 ASTM-A653 CS Type B Galvanized Steel,
 G-30 Coating LFQ Chemical Treatment

Assembly:
 Starting Collars are assembled with 1/8" x 1/8" Zinc Coated
 Steel Rivets

Collar:
 Rolled formed and features 1 1/2 crimp and 3/8" Convex
 Bead(s) for Branch Duct Connection

Flange:
 1" Wide - 30GA - Corrugated for added durability



Superior Quality, Superior Service, Superior Value.. that's the Royal Advantage