



100 Royal Way
 Temple, GA 30179
 Phone (800) 520-6593

SPECIFICATION DATA SHEET

MODEL No. 244/244R/244L
 Center, Right, or Left End
 Register Boot

Date: 8/1/2025

DIMENSIONAL DATA

A	B	C	D
Register	Collar	Length	Total Height
2x10	4	14 1/4"	6 1/2"
2x10	5	14 1/4"	7 1/7"
2x10	6	14 1/4"	8 1/2"
2x12	6	16 3/4"	8 1/2"
2x12	7	16 3/4"	9 1/2"
4 x 8	5	12 1/4"	7 1/2"
4x10	4	14 1/4"	6 1/2"
4x10	5	14 1/4"	7 1/2"
4x10	6	14 1/4"	8 1/2"
4x10	7	14 1/4"	9 1/2"
4x12	6	16 1/4"	8 1/2"
4x12	8	16 1/4"	10 1/2"
4x14	6	19 1/2"	8 1/2"
4x14	7	19 1/2"	9 1/2"
6x10	4	14 1/4"	6 1/2"
6x10	5	14 1/4"	7 1/2"
6x10	6	14 1/4"	8 1/2"
6x10	7	14 1/4"	9 1/2"
6x10	8	14 1/4"	10 1/2"
6x12	6	17 1/4"	8 1/2"
6x12	7	17 1/4"	9 1/2"
6x12	8	17 1/4"	10 1/2"
6x14	6	18 3/4"	8 1/2"
6x14	7	18 3/4"	9 1/2"
6x14	8	18 3/4"	10 1/2"

FABRICATION DATA

Material:

ASTM-A653 CS Type B Galvanized Steel, 30GA
 G-30 Coating LFQ Chemical Treatment

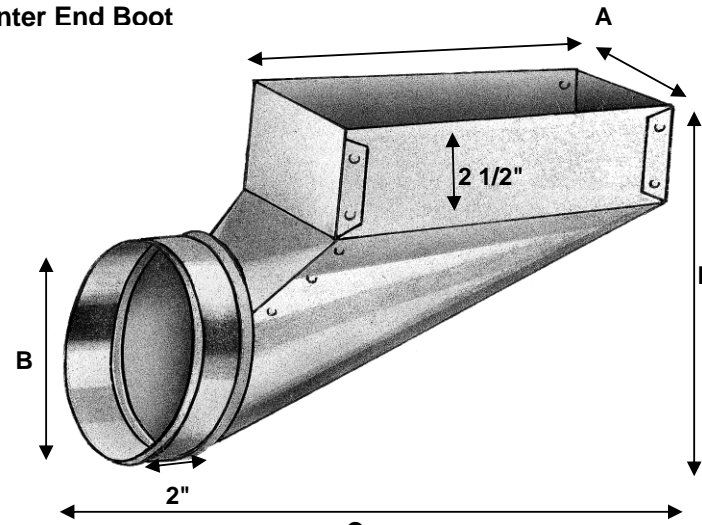
Assembly:

Assembled with C-115 2/16 zinc coated steel rivets

244: An 1/8" hem on both collar and register openings.

244F: A 1" Outboard flange around the perimeter of the register opening with a 5/8" drywall edge. Royal boot rails may be used to hang the boot in a ceiling mount.

Model 244 Center End Boot



Accessories:
Plaster Frame

Available in 24" and 26" length



Accessories:

Boot Rails

Available in 24" and 26" length
 Item# 100324 (24")
 Item# 100326 (26")



Model 244R/L (244R Shown)
 Left or Right End Register Boot

