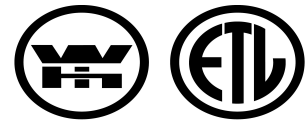




CEILING RADIATION DAMPER
 FOR WOOD TRUSS CEILING ASSEMBLIES
 ETL CLASSIFIED UL263/E119
 INCORPORATES ETL CLASSIFIED UL555C DAMPER
 REGISTER BOX * TOP INLET
MODEL: 241FRD/241RD



Intertek

QUALIFICATIONS:

ETL CLASSIFIED UL263/E119 CEILING DAMPER

Approved for use in 1 hour fire rated floor/ceiling and roof/ceiling assembly constructed in accordance with material and construction specifications of UL design number: L521, L528, L546, L550, L558, L562, L563, L570, L574, L579, L585, L586, M503, P522, P531, P533, P538, P545, P547, P548, and P552.

Incorporates ETL Classified UL555C evaluated ceiling damper.

Meets NFPA 90 requirements.

DESCRIPTION:

Ceiling dampers are designed to function as a heat barrier in air handling openings penetrating fire resistive membrane ceilings. The Model 241FRD has been especially designed to provide protection and for Simple installation in specific design wood truss ceiling assemblies.

The 241FRD assembly consist of a rectangular ceiling damper recessed in a sheet metal tapered register box (boot) with round inlet collar that accommodates a steel grill or register.

CONSTRUCTION:

1. Listed fusible link, 212° F (100° C) standard.
2. Blades: 21 GA G60 roll-formed galvanized steel.
3. Blade insulation: Non-asbestos classified.
4. Damper frame: 21 GA G60 Galvanized steel.
5. Steel plenum: 24 GA Max. with round connector.
6. Class 0 or 1 Flexible duct connection by others.
7. Plaster flange with 1" wide by 1/2" deep.
8. Steel grille/register (by Others). Standard clearance depth 2-1/2".

*Maximum Area Size: 144 square inches (No one dimension greater than 14").

Collar Size: 4"-10"

Minimum size: 6 x 6

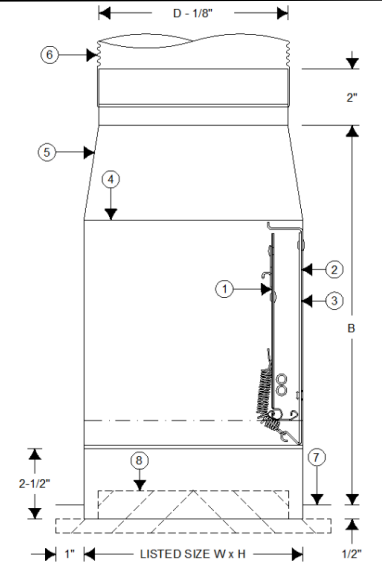
Maximum size: Square: 12 x 12

Maximum size: Rectangular: 14 x 10

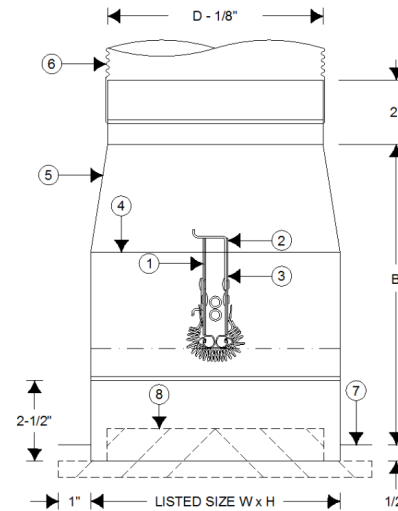
Options:

- Non-standard temp. listed fusible link 165° F (74° C)
- Installation support angles. 26" long.
 * 2 @ Standard boot rail (2 sides).
 * 2 @ 1-1/2" x 1-1/2" 22 GA angle (2 sides).
- Available non-flanged (241RD).
 NOTE: Boot rail option not available on (241RD).
- Plaster flange available in 1/2" or 1".
- Boot size determines single or double blade configuration.

NOTE: Building Code and Classification require damper installation in accordance with manufacturer's installation instructions.



SINGLE BLADE



DOUBLE BLADE

Height does not include drywall lip		
Approximate Dimensional Data		
Available Common Sizes		
W X H	Nom. Duct Size D	B
8 X 4	4", 5"	10"
10 X 4	4", 5", 6"	10"
12 X 4	6", 7", 8"	10"
8 X 6	6"	10"
10 X 6	5", 6", 7"	10"
12 X 6	6", 7", 8", 9"	10"
8 X 8	5", 6"	10"
10 X 8	7", 8"	10"
12 X 8	7", 8"	10"
9 X 9	8"	10"
12 X 12	8", 9", 10"	10"

Contact Manufacturer for additional dimensions not listed.

MODEL 241FRD/241RD