



100 Royal Way
 Temple, GA 30179
 Phone (800) 520-6593

SPECIFICATION DATA SHEET

Date: 11/20/2013

**MODEL No. 241/241F
 Straight Register Boot**

DIMENSIONAL DATA

A	B	C
Register	Collar	Height
2" x 10"	5"	8 1/2"
4" x 8"	5"	8 1/2"
4" x 10"	4"	8 1/2"
4" x 10"	5"	8 1/2"
4" x 10"	6"	8 1/2"
4" x 10"	7"	8 1/2"
4" x 12"	6"	8 1/2"
4" x 12"	7"	8 1/2"
4" x 12"	8"	8 1/2"
4" x 14"	7"	8 1/2"
4" x 14"	8"	8 1/2"
6" x 10"	5"	8 1/2"
6" x 10"	6"	8 1/2"
6" x 10"	7"	8 1/2"
6" x 10"	8"	8 1/2"
6" x 12"	7"	8 1/2"
6" x 12"	8"	8 1/2"
6" x 12"	9"	9"
6" x 14"	8"	8 1/2"

FABRICATION DATA

Material: ASTM-A653 CS Type B Galvanized Steel, 30GA
 G-30 Coating LFP Chemical Treatment

***** Also Available in 28GA, 26GA and 24GA

Assembly: Assembled w/ C-115 2/16 zinc coated steel rivets

Features:

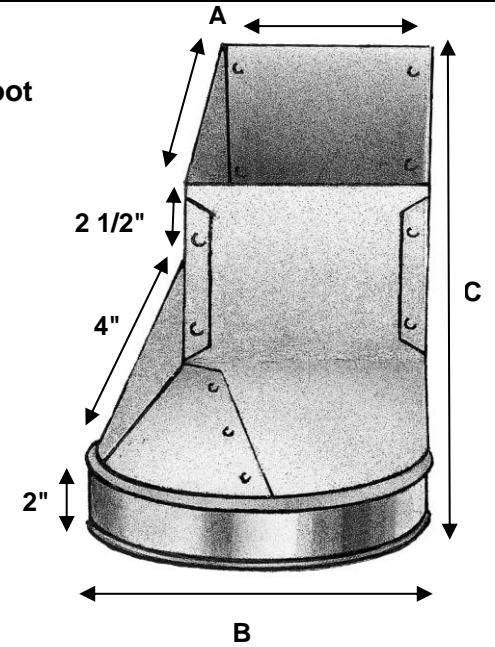
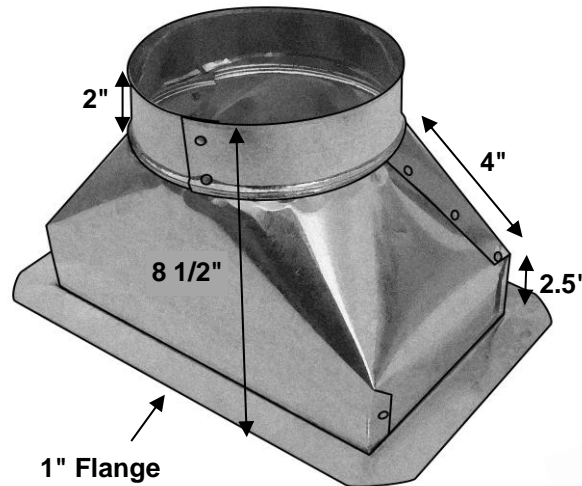
- 241:** A 1/8" Hem on both collar and register openings. A Royal plaster frame may be used to hang the boot in a ceiling mount.
- 241F:** An 1" Outboard flange around the perimeter of the register opening with a 5/8" drywall edge. Royal boot rails may be used to hang the boot in a ceiling mount.

**Model 241
 Straight Back Register Boot**

**Accessories:
 Plaster Frame**
 Available in 24" and 26" length



**Model 241F
 Center-Tapered Register Boot**



Boot Rails

Available in 24" and 26" length
 Item# 100324 (24")
 Item# 100326 (26")

