



100 Royal Way
 Temple, GA 30179
 Phone (800) 520-6593

SPECIFICATION DATA SHEET

Date:1/7/2014

MODEL No. 236
Offset Stack Boot

DIMENSIONAL DATA

<u>A X B</u>	<u>C</u>	<u>D</u>	<u>E</u>
Register Size	Collar		
3 1/4" x 10"	4	9 1/2"	7 1/2"
3 1/4" x 10"	5"	9 1/4"	7 1/4"
3 1/4" x 10"	6"	9 1/4"	7 3/4"
3 1/4" x 12"	6"	7"	8 1/2"
3 1/4" x 12"	7"	9 1/2"	8 1/2"
3 1/4" x 12"	8"	12 1/2"	8 1/2"
3 1/4" x 14"	8"	9"	9"

FABRICATION DATA

Material:

ASTM-A653 CS Type B Galvanized Steel,
 G-30 Coating LFQ Chemical Treatment

Gauge: 30GA

Assembly:

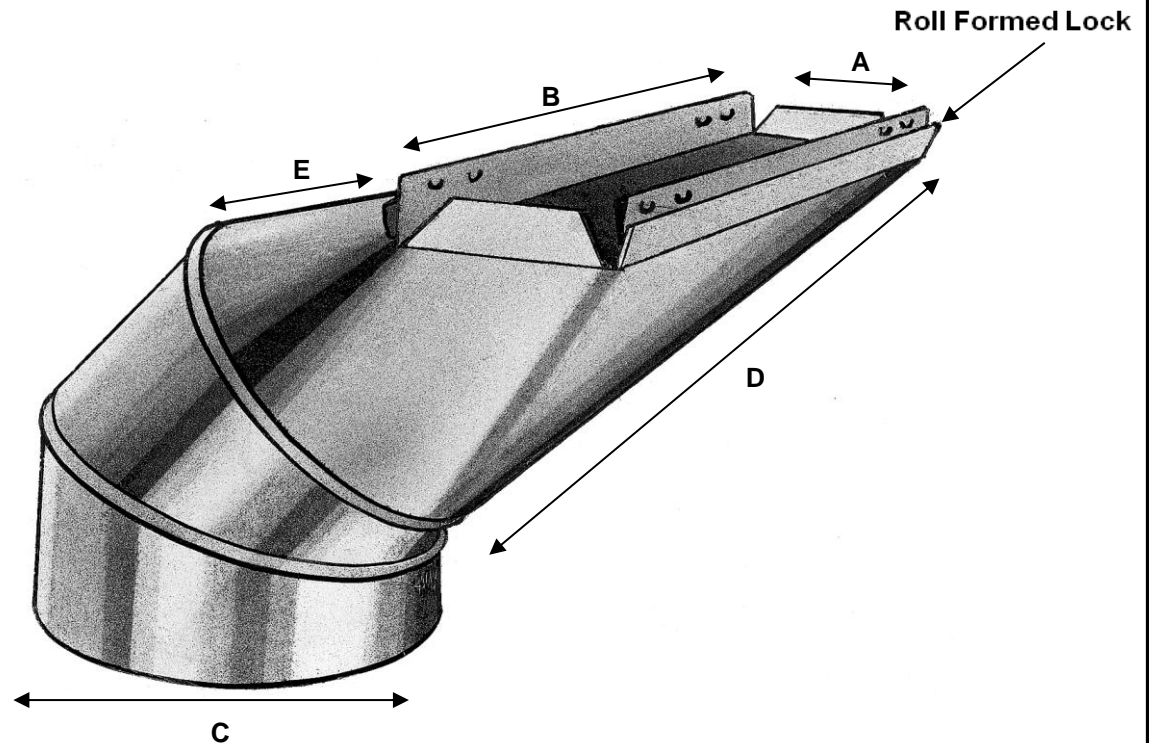
Assembled with C-115 2/16 zinc coated steel rivets

Lock:

Lock is one piece roll formed Female End that will accept Royal Metal Wall Stack Male End #401

Collar:

Assembled on automated machine, 2 piece construction with 1/8" x 1/8" zinc coated steel rivets



Superior Quality, Superior Service, Superior Value.. that's the Royal Advantage

Superior Quality, Superior Service, Superior Value.. that's the Royal Advantage