



100 Royal Way
Temple, GA 30179
Phone (800) 520-6593

SPECIFICATION DATA SHEET

Date: 8/1/2025

MODEL No. 233 90 Degree Angle Stack Boot

DIMENSIONAL DATA

<u>A X B</u> <u>Register Size</u>	<u>C</u> <u>Collar</u>	<u>D</u> <u>Total Height</u>	<u>E</u>
3 1/4" x 10"	6"	9"	3 1/2"
3 1/4" x 12"	6"	11"	4 1/4"
3 1/4" x 12"	7"	11"	4 1/4"
3 1/4" x 12"	8"	11 1/2"	4 1/4"
3 1/4" x 14"	8"	11"	6 1/4"

FABRICATION DATA

Material:

ASTM-A653 CS Type B Galvanized Steel,
G-30 Coating LFQ Chemical Treatment

Gauge: 30GA

Assembly:

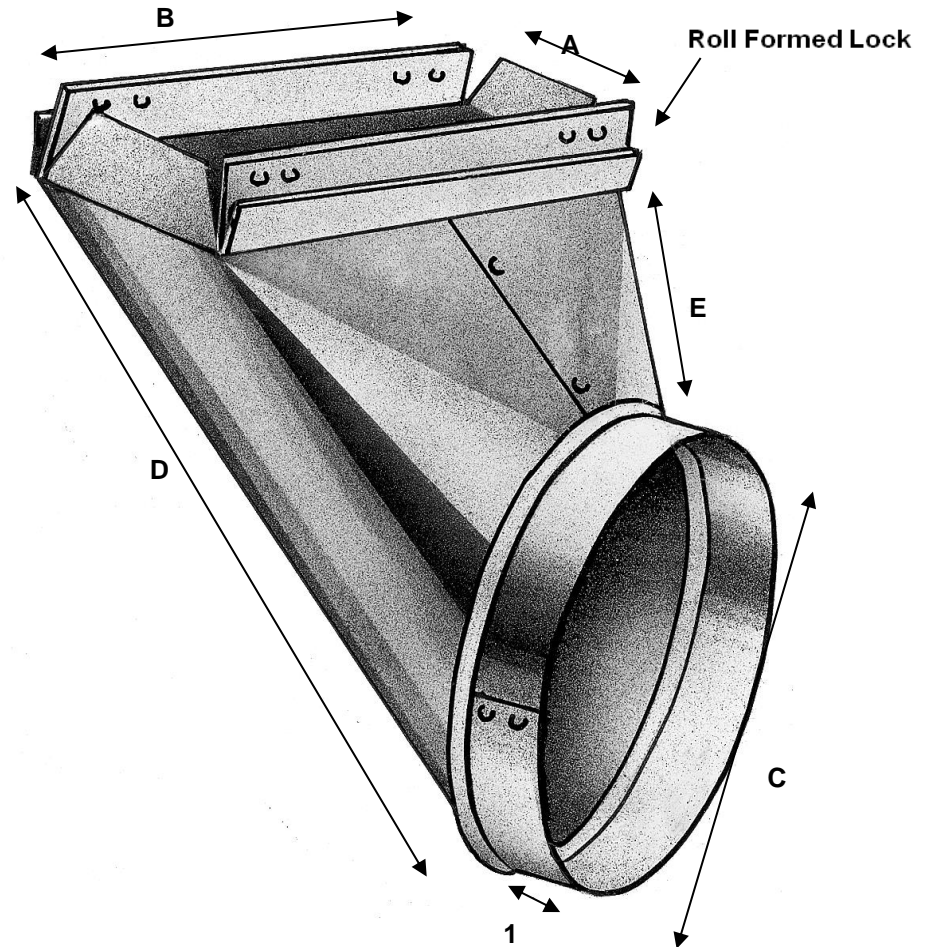
Assembled with C-115 2/16 zinc coated steel rivets

Collar:

Collar is 1 1/2" roll formed galvanized steel with 1/4" beading
and 1/8" hemmed edge

Lock:

One piece roll formed Female End that will
accept Royal Metal Wall Stack Male End #401



Superior Quality, Superior Service, Superior Value.. that's the Royal Advantage