



100 Royal Way
 Temple, GA 30179
 Phone (800) 520-6593

SPECIFICATION DATA SHEET

Date: 1/7/2014

MODEL No. 233
90 Degree Angle Stack Boot

DIMENSIONAL DATA

<u>A X B</u> <u>Register Size</u>	<u>C</u> <u>Collar</u>	<u>D</u> <u>Total Height</u>	<u>E</u>
3 1/4" x 10"	4", 5"	9"	3 1/2"
3 1/4" x 10"	6"	9"	3 1/2"
3 1/4" x 12"	6"	11"	4 1/4"
3 1/4" x 12"	7"	11"	4 1/4"
3 1/4" x 12"	8"	11 1/2"	4 1/4"
3 1/4" x 14"	8"	11"	6 1/4"

FABRICATION DATA

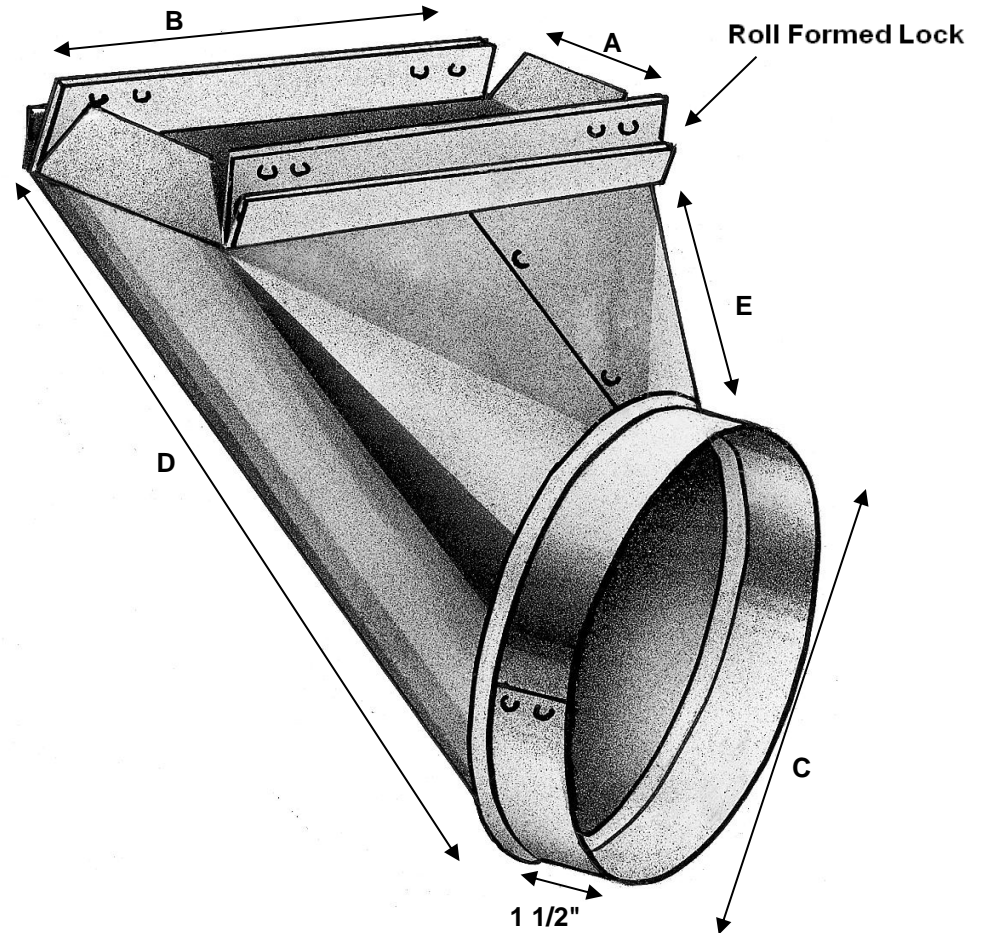
Material:
 ASTM-A653 CS Type B Galvanized Steel,
 G-30 Coating LFQ Chemical Treatment

Gauge: 30GA

Assembly:
 Assembled with C-115 2/16 zinc coated steel rivets

Collar:
 Collar is 1 1/2" roll formed galvanized steel with 1/4" beading
 and 1/8" hemmed edge

Lock:
 One piece roll formed Female End that will
 accept Royal Metal Wall Stack Male End #401



Superior Quality, Superior Service, Superior Value.. that's the Royal Advantage