



100 Royal Way
Temple, GA 30179
Phone (800) 520-6593

SPECIFICATION DATA SHEET

Date: 1/2/2014

MODEL No. 226 Oval 45deg Register Box

DIMENSIONAL DATA

<u>A</u>	<u>B</u>	<u>C</u>	<u>D</u>
2	10	6	7
2	12	6	7
2	12	7	7
4	10	6	7
4	10	7	7

FABRICATION DATA

Material:

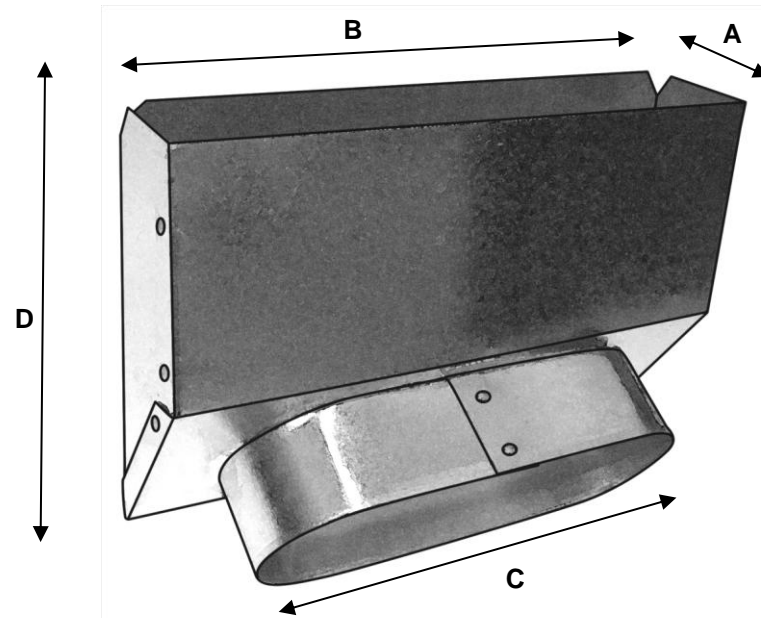
ASTM-A653 CS Type B Galvanized Steel,
G-30 Coating LFP Chemical Treatment

Gauge: 28GA

Also available in 26GA and 24GA upon request

Assembly:

Assembled with 1/8" x 1/8" zinc coated steel rivets.



Superior Quality, Superior Service, Superior Value.. that's the Royal Advantage