



100 Royal Way
Temple, GA 30179
Phone (800) 520-6593

SPECIFICATION DATA SHEET

Date:8/1/2025

MODEL No. 224 Oval Stack

DIMENSIONAL DATA

<u>A</u>	<u>B</u>	<u>C</u>	<u>D</u>
10	4	4	13
10	4	5	13
10	4	7	13
12	4	7	13
12	6	5	15
14	6	7	15
14	6	8	15

FABRICATION DATA

Material:

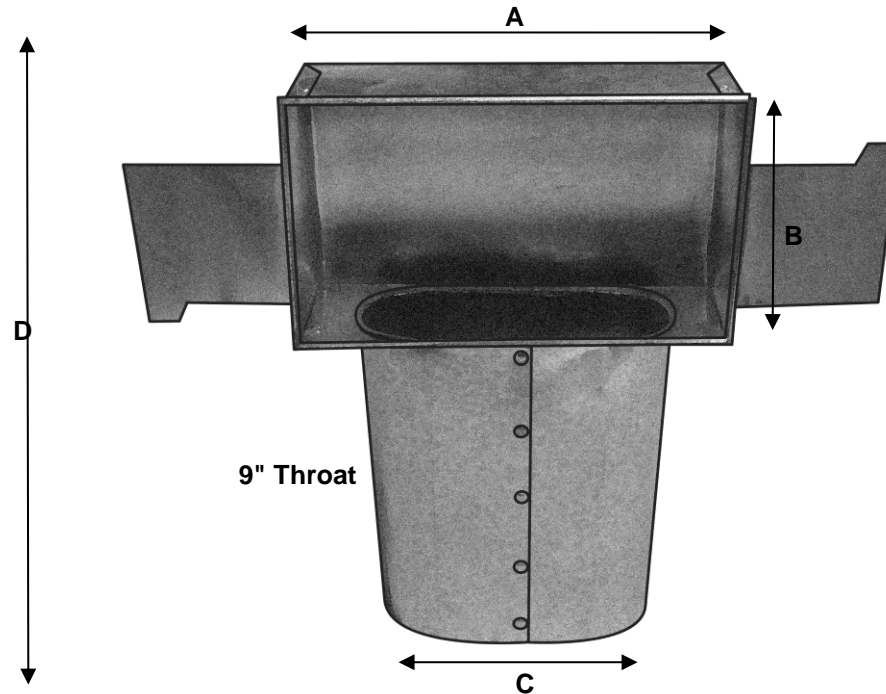
ASTM-A653 CS Type B Galvanized Steel,
G-30 Coating LFQ Chemical Treatment

Gauge: 28GA

Also available in 26GA and 24GA upon request

Assembly:

Stackhead are assembled with 1/8" x 1/8" zinc coated steel rivets.



Superior Quality, Superior Service, Superior Value.. that's the Royal Advantage