



100 Royal Way
Temple, GA 30179
Phone (800) 520-6593

SPECIFICATION DATA SHEET

Date:3/5/14

MODEL No. 1008 HANGING RAIL

DIMENSIONAL DATA

1" x 1" x 24"

FABRICATION DATA

Material:

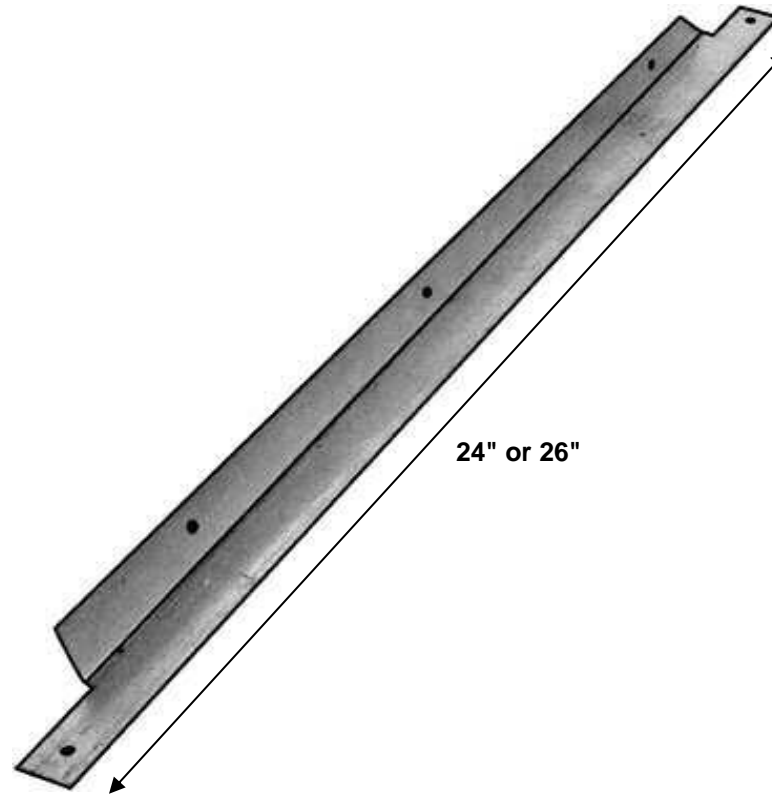
ASTM-A653 CS Type B Galvanized Steel,
G-30 Coating LFQ Chemical Treatment

Gauge: 24GA

Also Available in 22GA or 26GA

Options:

Available in 26" length



Superior Quality, Superior Service, Superior Value.. that's the Royal Advantage