



CEILING RADIATION DAMPER
 FOR WOOD TRUSS CEILING ASSEMBLIES
 ETL CLASSIFIED UL263/E119
 INCORPORATES ETL CLASSIFIED UL555C DAMPER
 DUCTED * FIBERGLASS PLENUM * SIDE INLET
MODEL: 557RDD



QUALIFICATIONS:

ETL CLASSIFIED UL263/E119 CEILING DAMPER

Approved for use in 1 hour fire rated floor/ceiling and roof/ceiling assembly constructed in accordance with material and construction specifications of UL design number: L521, L528, L546, L550, L558, L562, L563, L570, L574, L579, L585, L586, M503, P522, P531, P533, P538, P545, P547, P548, and P552.

Incorporates ETL Classified UL555C evaluated ceiling damper.

Meets NFPA 90A requirements.

DESCRIPTION:

Ceiling dampers are designed to function as a heat barrier in air handling openings penetrating fire resistive membrane ceilings. The Model Series 557RDD has been especially designed to provide protection and simple installation in specific design wood truss ceiling assemblies.

Model 557RDD is designed for installation in the supply (or return) ductwork take-off from an AHU where it penetrates the ceiling and provides a multiple-outlet plenum to feed 557RDD/grille or diffuser assemblies. May also be used as a return.

CONSTRUCTION:

1. Listed fusible link, 212° F (100° C)
2. Blades: 21 GA G60 roll-formed galvanized steel.
3. Blade insulation: Non-asbestos classified.
4. Damper frame: 21 GA G60 galvanized steel.
5. Fiberglass plenum: by Royal or others. Fiberglass duct board with fire resistant tape. R-value determined by local code.
6. Cutting and installation of collars for classified Class 0 or 1 flexible air duct connection by others. Maximum of three.
7. Damper sub-frame with plaster flange. 24 Ga maximum galvanized steel.
8. Damper sleeve extended below ceiling for ducted connection.

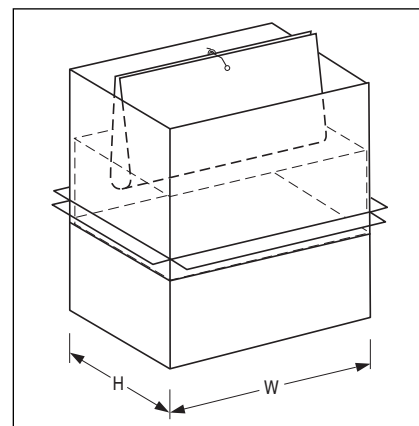
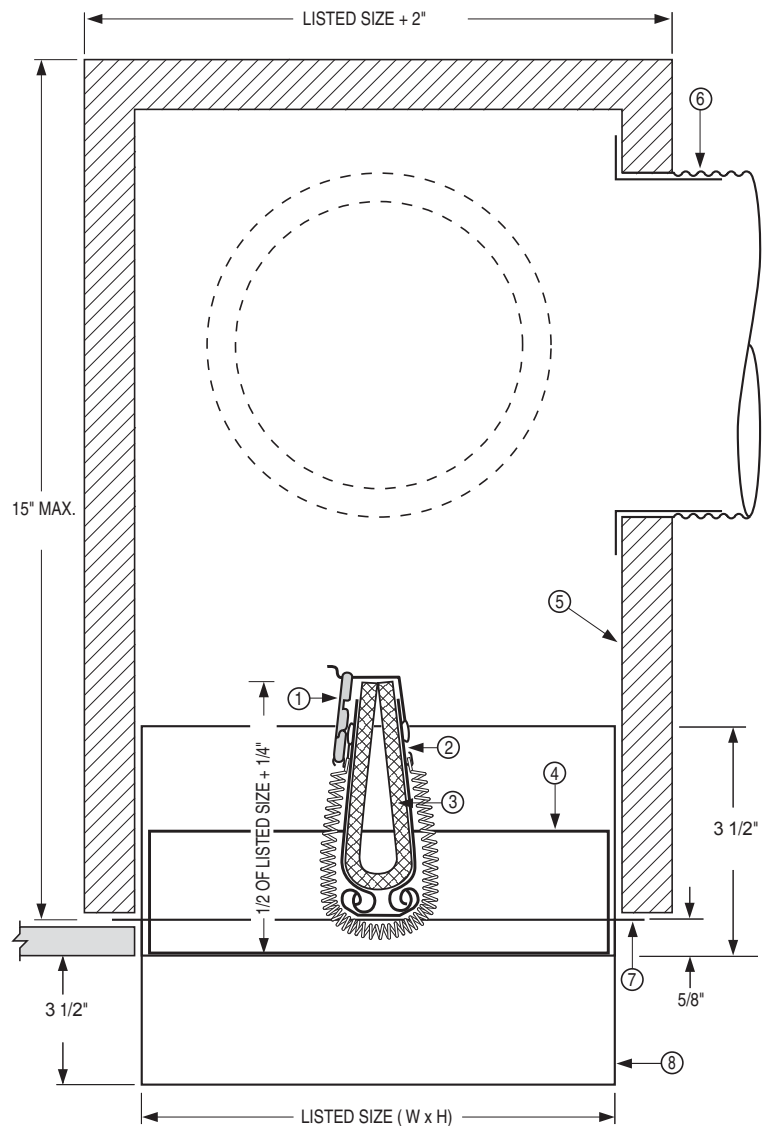
OPTIONS:

1. Non-standard temp. listed fusible link, 165° F (74° C)
2. Installation support angles. 26" long
 - * 2 @ 1-1/2" x 1-1/2" 22 GA angle
 - * 2 @ standard boot rail

NOTES:

Minimum Size: 4" W x 4" H

Maximum Area Size: 256 square inches (No one dimension greater than 16")



Dimensions are in inches

MODEL 557RDD