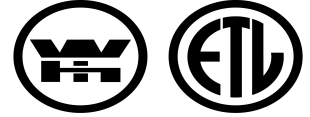




CEILING RADIATION DAMPER
 FOR WOOD TRUSS CEILING ASSEMBLIES.
 ETL CLASSIFIED UL263/E119. GRILLE MOUNT •
 FIBERGLASS PLENUM •SIDE INLET
MODEL: 557RD



Intertek

QUALIFICATIONS:

- ETL CLASSIFIED UL263/E119 .. CEILING DAMPER.
- 1 hour rated for use in floor/ceiling design numbers L550/L562/L574/L579/L585/M503/L563/L546/L521/L528/L530/L570/L586 and roof/ceiling design numbers P531/P538/P545/P522/P552/P533/P544/P548.
- Meets NFPA 90A requirements

DESCRIPTION:
 Ceiling dampers are designed to function as a heat barrier in air handling openings penetrating fire resistive membrane ceilings. The Model Series 557RD has been especially designed and tested to provide protection and simple installation in specific design wood truss ceiling assemblies.

The 557RD assembly consists of a rectangular ceiling damper recessed in a fiberglass plenum (boot/register box) by others that accommodates a steel grille, register or diffuser.

CONSTRUCTION:

1. Listed fusible link, 212°F (100°C) standard.
2. Blades: 21 ga. G60 roll-formed galvanized steel.
3. Blade Insulation: Non-asbestos Classified.
4. Damper frame: 21 ga. G60 galv. steel.
5. Fiberglass plenum (by Royal or others). 1" thick fiberglass duct board with fire resistant foil-scrim-facing. 181 Class I Classified. Assembled with Listed fire resistant tape.
6. Cutting and installation of collar for Classified Class 0 or I Flexible Air Duct connection by others.
7. Damper sub-frame with plaster flange. 24 ga. max galvanized steel.
8. Steel grille/register/diffuser (by Royal or others). Bottom of damper sub-frame is flush with ceiling. Standard depth for grille clearance is 2 1/2"

OPTIONS:

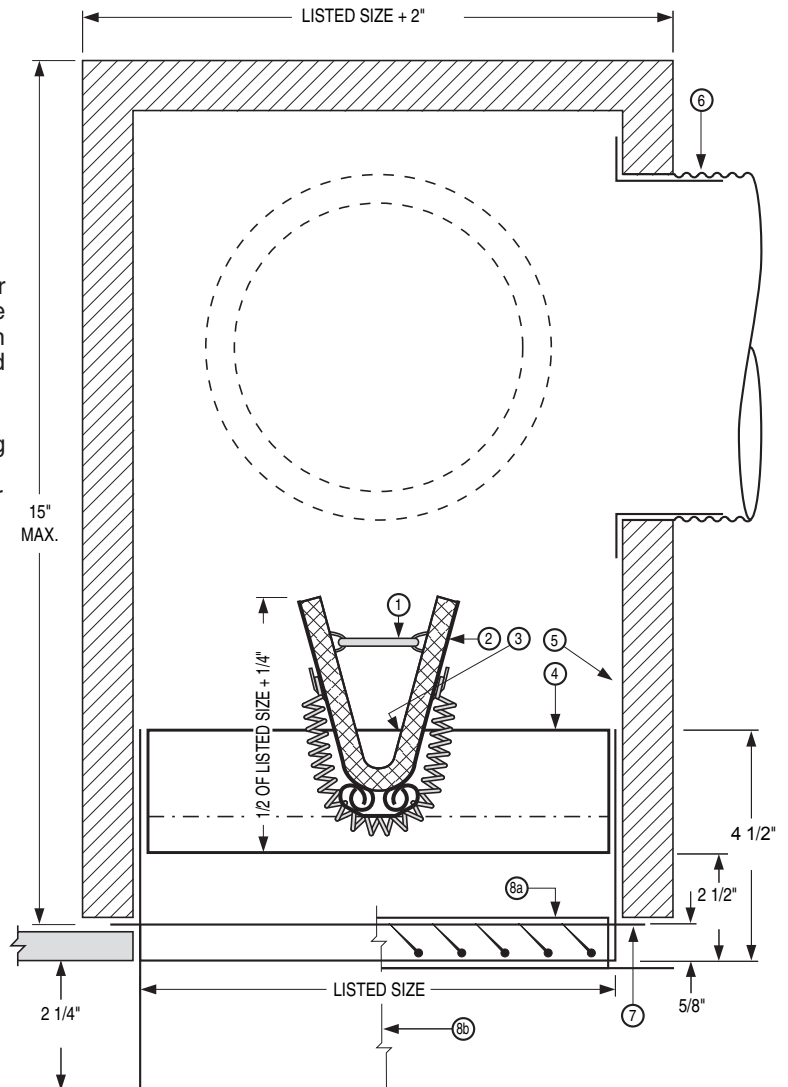
1. Non-standard temp. Listed fusible link
 165 165°F (74°C)
2. Optional Damper Styles:
 CRDS Single Blade Damper
3. Installation Support Angles. 26" long.
 2 @ Standard boot rail
 2 @ 3/4" x 3/4" x 16 ga.

Dimensions are in inches .

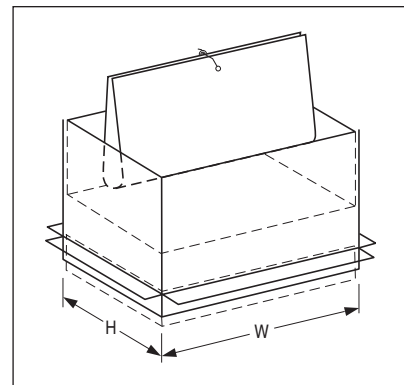
NOTES:

Minimum Size: 4" W x 4" H

Maximum Size: 256 sq. Inches NO SIDE OVER 16" L



1" X 1" FLANGE



Dimensions are in inches

MODEL 557RD