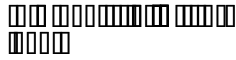




**CEILING RADIATION DAMPER  
FOR WOOD TRUSS CEILING  
ASSEMBLIES. ETL CLASSIFIED  
UL263/E119.INSULATED REGISTER  
BOX • SIDE INLET MODEL: 509RD**



**QUALIFICATIONS:**



+5DWHIHLIHLDDIHL  
HLEH  
///////  
//333333  
33

HHW1)3HTLHHW

HHW1)3HTLHHW

HHW1)3HTLHHW

HHW1)3HTLHHW

HHW1)3HTLHHW

HHW1)3HTLHHW

HHW1)3HTLHHW

HHW1)3HTLHHW

HHW1)3HTLHHW

HHW1)3HTLHHW

HHW1)3HTLHHW

HHW1)3HTLHHW

HHW1)3HTLHHW

HHW1)3HTLHHW

HHW1)3HTLHHW

HHW1)3HTLHHW

HHW1)3HTLHHW

HHW1)3HTLHHW

HHW1)3HTLHHW

HHW1)3HTLHHW

HHW1)3HTLHHW

HHW1)3HTLHHW

HHW1)3HTLHHW

HHW1)3HTLHHW

HHW1)3HTLHHW

HHW1)3HTLHHW

HHW1)3HTLHHW

HHW1)3HTLHHW

HHW1)3HTLHHW

HHW1)3HTLHHW

HHW1)3HTLHHW

HHW1)3HTLHHW

HHW1)3HTLHHW

HHW1)3HTLHHW

HHW1)3HTLHHW

HHW1)3HTLHHW

HHW1)3HTLHHW

HHW1)3HTLHHW

HHW1)3HTLHHW

HHW1)3HTLHHW

HHW1)3HTLHHW

HHW1)3HTLHHW

HHW1)3HTLHHW

HHW1)3HTLHHW

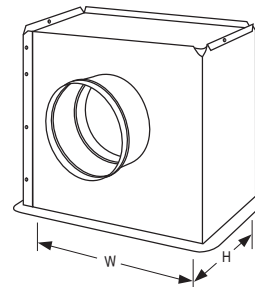
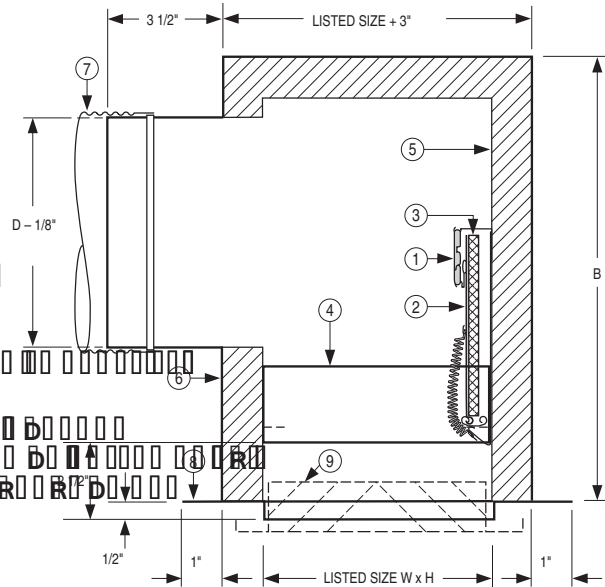
HHW1)3HTLHHW

HHW1)3HTLHHW

HHW1)3HTLHHW

HHW1)3HTLHHW

HHW1)3HTLHHW



) :

T RPPX n LPV		B
Y ϕ H	h RRS ( U ° Wn LK U	
8 ϕ 4	4", 5" dia.	12
10 ϕ 4	4", 5", 6" dia.	
12 ϕ 4	6", 7", 8" dia.	
8 ϕ 6	6" dia.	12
10 ϕ 6	5", 6", 7" dia.	
12 ϕ 6	6", 7", 8", 9" dia.	
8 ϕ 8	5", 6" dia.	12
10 ϕ 8	7", 8" dia.	
12 ϕ 8	7", 8" dia.	
10 ϕ 10	7", 8" dia.	12
12 ϕ 12	8" dia.	
	9", 10" dia.	14

z((g(R(o(RA(t(LuL

LHLDHLLH

**MODEL RD**