

**CEILING RADIATION DAMPER  
FOR WOOD TRUSS CEILING ASSEMBLIES  
ETL CLASSIFIED UL263/E119  
REGISTER BOX \* TOP INLET  
MODEL: 241FRD/241RD**

**QUALIFICATIONS:**

**ETL CLASSIFIED UL263/E119 CEILING DAMPER**

Approved for use in 1 hour fire rated floor/ceiling and roof/ceiling assembly constructed in accordance with material and construction specifications of UL design number: L521, L528, L546, L550, L558, L562, L563, L570, L574, L579, L585, L586, M503, P522, P531, P533, P538, P545, P547, P548, and P552.

Incorporates ETL Classified UL555C evaluated ceiling damper.

**DESCRIPTION:**

Ceiling dampers are designed to function as a heat barrier in air handling openings penetrating fire resistive membrane ceilings. The Model 241FRD has been especially designed to provide protection and for Simple installation in specific design wood truss ceiling assemblies.

The 241FRD assembly consist of a rectangular ceiling damper recessed in a sheet metal tapered register box (boot) with round inlet collar that accommodates a steel grill or register.

**CONSTRUCTION:**

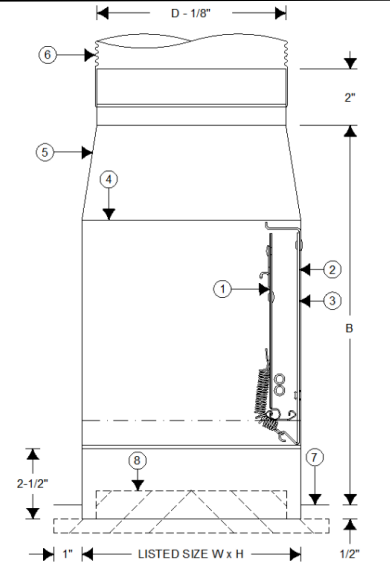
- ☐ ☐ Listed fusible link, 212 Degree Fahrenheit Standard.
- Blades: 21Ga G60 roll-formed galvanized steel.
- Blade insulation: Non-asbestos classified.
- Damper frame: 21Ga. G60 Galvanized steel.
- Steel plenum: 24Ga Max. with round connector.
- Class 0 or 1 Flexible duct connection by others.
- Plaster flange with 1" wide by 1/2" deep.
- Steel grille/register (by Others). Standard clearance depth 2-1/2".

ax A ea e 144 square inches  
(No one dimension greater than 14").

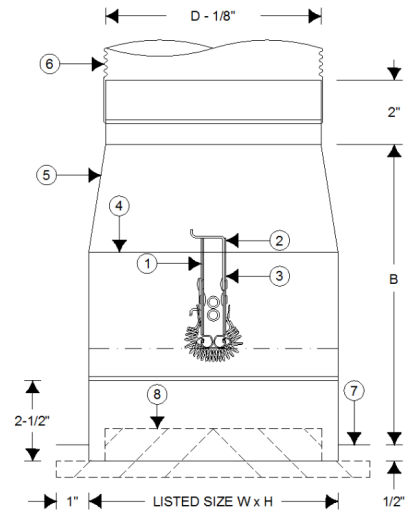
**Options:**

- v Non-standard temp. Listed fusible link 165 Degree Fahrenheit.
- Installation support angles. 26" long.
- \* 2 @ Standard boot rail (2 sides).
- \* 2 @ 1-1/2" x 1-1/2" 22GA angle ( 2 sides).
- Available non-flanged (241RD).
- NOTE: Boot rail option not available on (241RD).
- Plaster flange available in 1/2" or 1".
- Boot size determines single or double blade configuration.

**NOTE:** Building Code and Classification require damper installation in accordance with manufacturer's instructions.



**SINGLE BLADE**



**DOUBLE BLADE**

Height does not include drywall lip		
W X H	E	B
8 X 4	4", 5"	10"
10 X 4	4", 5", 6"	10"
12 X 4	6", 7", 8"	10"
8 X 6	6"	10"
10 X 6	5", 6", 7"	10"
12 X 6	6", 7", 8", 9"	10"
8 X 8	5", 6"	10"
10 X 8	7", 8"	10"
12 X 8	7", 8"	10"
9 X 9	8"	10"
12 X 12	8", 9", 10"	10"

☐ R☐ WDFW☐ OD☐ XIDFWXU☐ U☐ IRU☐ DGGLWLR☐ DO☐ GLP☐ ☐ LR☐ ☐ ☐ RW

**MODEL 241FRD/241RD**

ROYAL METAL PRODUCTS INC. Reserves the right to change any information concerning this product or pricing without notice.