



100 Royal Way
Temple, GA 30179
Phone (800) 520-6593

SPECIFICATION DATA SHEET

Date:3-5-14

MODEL No. 1005 CRD MOUNTING RAIL

DIMENSIONAL DATA

1 1/2" X 1 1/2" - 26" 22GA

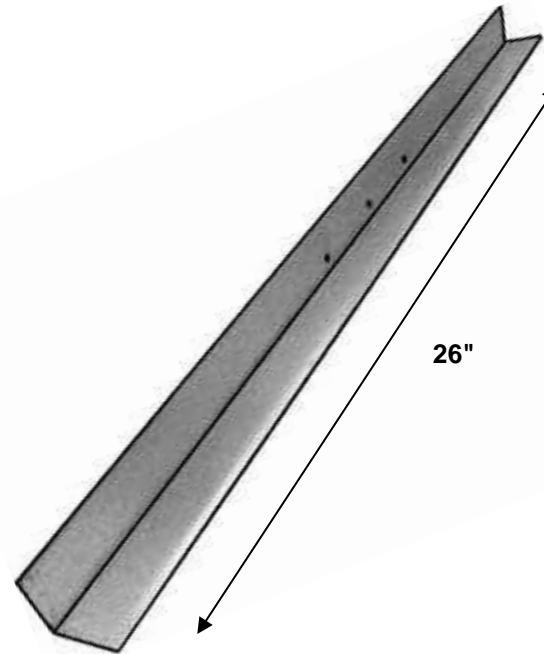
FABRICATION DATA

Material:

ASTM-A653 CS Type B Galvanized Steel,
G-30 Coating LFQ Chemical Treatment

Gauge: 22GA

Options:



Superior Quality, Superior Service, Superior Value.. that's the Royal Advantage