



100 Royal Way
 Temple, GA 30179
 Phone (800) 520-6593

SPECIFICATION DATA SHEET

Date: 5/2/2007

MODEL No. 435
Horizontal 45deg Elbow for
Rectangular Duct & Wall Stack

DIMENSIONAL DATA

For Wall Stack:

<u>A</u>	<u>B</u>
3 1/4"	8
3 1/4"	10
3 1/4"	12
3 1/4"	14

For Rectangular Duct

<u>A</u>	<u>B</u>
8, 10	10
8, 10	12
8, 10	14
8, 10	16
8, 10	18
8, 10	20
8, 10	22
8, 10	24
8, 10	26
8, 10	28
8, 10	30

FABRICATION DATA

Material:

ASTM-A653 CS Type B Galvanized Steel,
 G-30 Coating LFQ Chemical Treatment

Gauge:

28 Gauge Standard 8x14 and smaller
 26 Gauge Standard 8x16 and larger

Assmely:

The elbows are assembled by using a roll formed
 hammer lock to secure the back and throat.

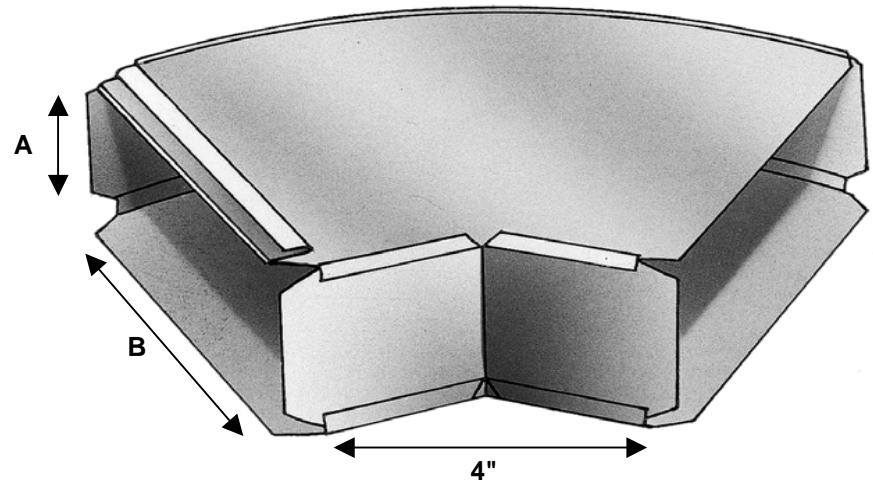
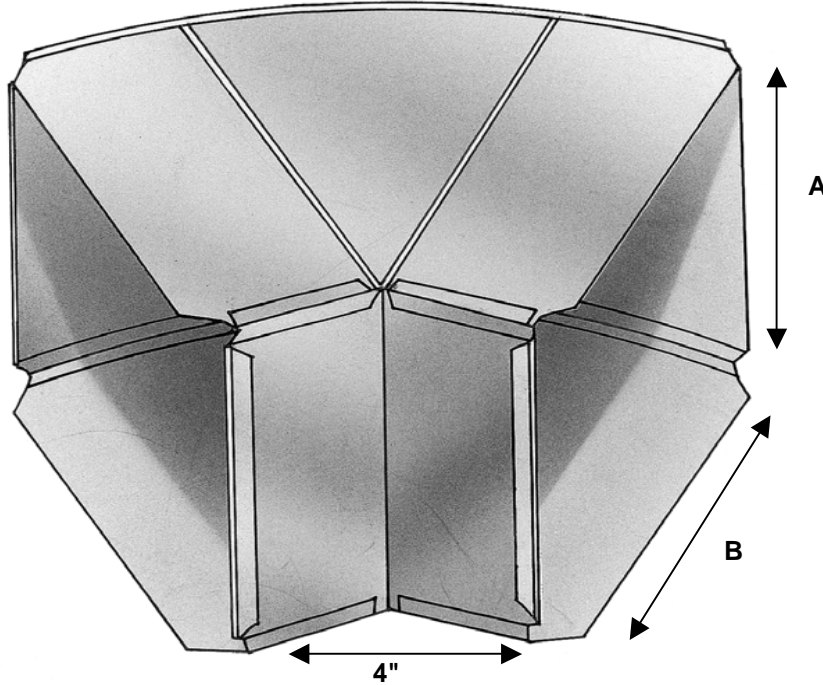
FEATURES

S-locks and Drives are included with all Rectangular
 Duct

S-locks rails are roll formed on to secure wall stack
 to the elbow during installation

OPTIONS

Additional Sizes Available for Rectangular Duct



Superior Quality, Superior Service, Superior Value.. that's the Royal Advantage