



100 Royal Way  
 Temple, GA 30179  
 Phone (800) 520-6593

**SPECIFICATION DATA SHEET**

Date: 5/2/2007

**MODEL No. 430**  
**Horizontal 90deg Elbow for**  
**Rectangular Duct & Wall Stack**

**DIMENSIONAL DATA**

**For Wall Stack:**

<u>A</u>	<u>B</u>
3 1/4"	8
3 1/4"	10
3 1/4"	12
3 1/4"	14

**For Rectangular Duct**

<u>A</u>	<u>B</u>
8, 10	10
8, 10	12
8, 10	14
8, 10	16
8, 10	18
8, 10	20
8, 10	22
8, 10	24
8, 10	26
8, 10	28
8, 10	30

**FABRICATION DATA**

**Material:**

ASTM-A653 CS Type B Galvanized Steel,  
 G-30 Coating LFQ Chemical Treatment

**Gauge:**

28 Gauge Standard 8x14 and smaller  
 26 Gauge Standard 8x16 and larger

**Assmibly:**

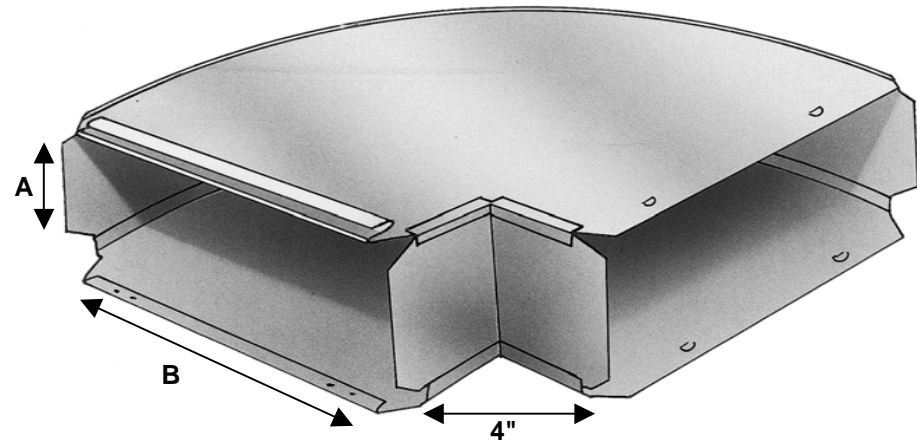
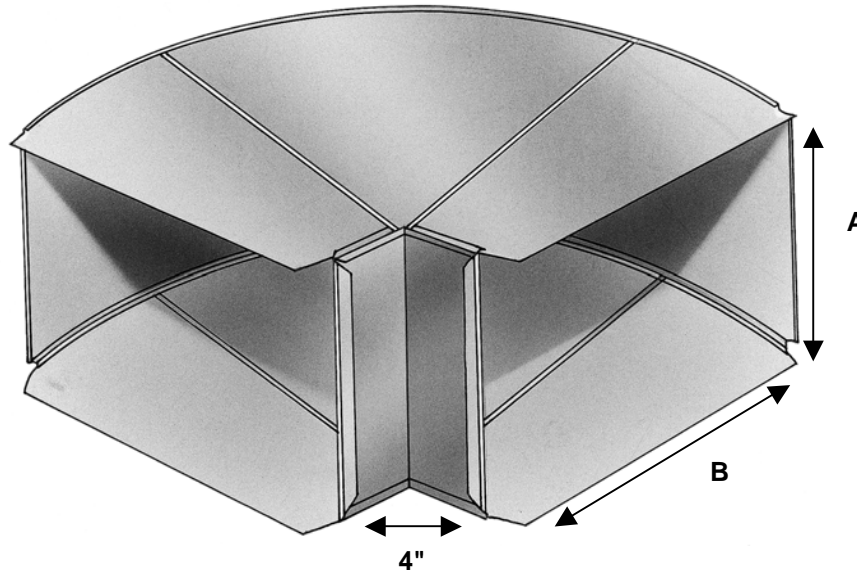
The elbows are assembled by using a roll formed  
 hammer lock to secure the back and throat.

**FEATURES**

S-locks and Drives are included with all Rectangular  
 Duct  
 S-locks rails are roll formed on to secure wall stack  
 to the elbow during installation

**OPTIONS**

Additional Sizes Available for Rectangular Duct



**Superior Quality, Superior Service, Superior Value.. that's the Royal Advantage**