



100 Royal Way  
 Temple, GA 30179  
 Phone (800) 520-6593

**SPECIFICATION DATA SHEET**

Date: 9/9/2013

**MODEL No. 409  
 OFFSET COLLAR 2" RISE**

**DIMENSIONAL DATA**

**Rectangular Duct**

**AxB**

- 8X8
- 8X10
- 8x12
- 8x14
- 8x16
- 8x18
- 8x20
- 8x22
- 8x24

**FABRICATION DATA**

**Material:**

ASTM-A653 CS Type B Galvanized Steel  
 G-30 Coating LFQ Chemical Treatment

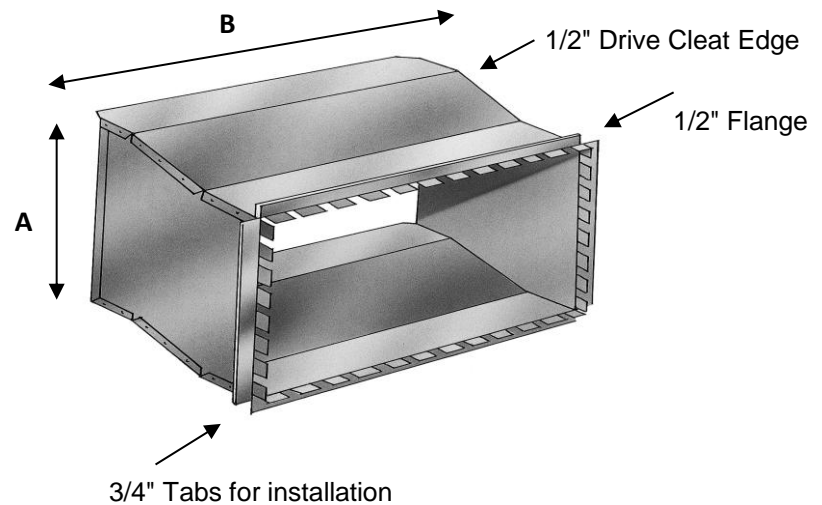
**Gauge: 26GA**

**Assembly:**

Pittsburgh lock longitudinal seam is standard.

**FEATURES**

Shipped assembled and ready for installation.  
 S-locks and drive cleats are included.



**\*Ordered by duct dimensions AxB**