



100 Royal Way  
 Temple, GA 30179  
 Phone (800) 520-6593

**SPECIFICATION DATA SHEET**

Date: 1/19/2009

**MODEL No. 336**  
**Steep Pitch Flashing and Roof**  
**Flashing**

**DIMENSIONAL DATA**

SIZES AVAILABLE: 4" THROUGH 10" DIAMETER

**FABRICATION DATA**

**Material:**           **Gauge:** 28GA  
 ASTM-A653 CS Type B Galvanized Steel,  
 G-30 Coating LFG Chemical Treatment

**Adjustable Pitch Available Sizes**

<u>SIZE</u>	<u>A</u>	<u>B</u>	<u>C</u>
4"	3 3/4	8	15X15
5"	4 3/4	9	15X15
6"	5 3/4	10 1/2	18X18
7"	6 3/4	14 1/2	22X22
8"	7 3/4	14 1/2	22X22
9"	8 3/4	15	22X22
10"	9 3/4	15	22X22

**Available Pitches:** Flat Roof through 5/12

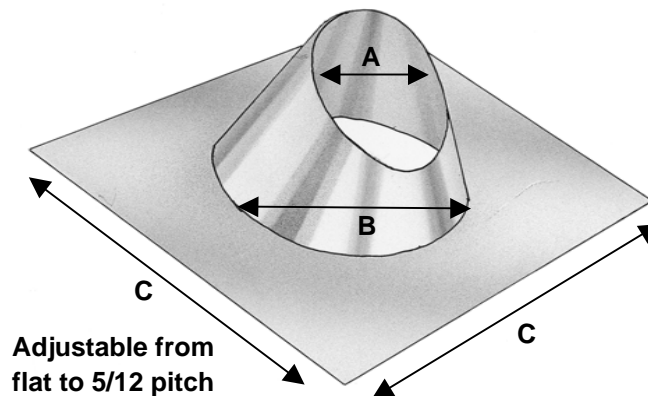
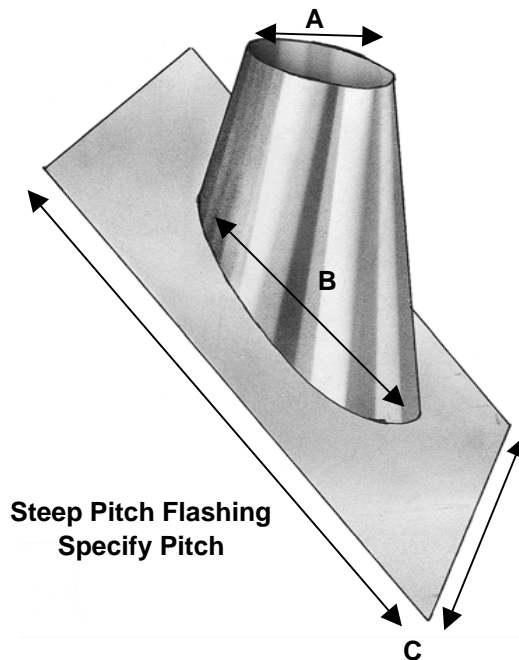
**Steep Pitch Available Sizes**

<u>SIZE</u>	<u>A</u>	<u>B</u>	<u>C</u>
4"	3 3/4	11	18x18
5"	4 3/4	11 1/2	18x18
6"	5 3/4	12	18X18
7"	6 3/4	12 1/2	18x18
8"	7 3/4	14 1/2	22X22
10"	9 3/4	18	24x24

**Available Pitches:** 5/12 through 12/12

**Assembly:**

The cone is spot welded to flashing and sealed with silicone.



**Superior Quality, Superior Service, Superior Value.. that's the Royal Advantage**