



100 Royal Way  
 Temple, GA 30179  
 Phone (800) 520-6593

**SPECIFICATION DATA SHEET**

11/10/2014

**MODEL No. 312F**  
**Starting Collar with Damper**  
**for Duct Board**

**DIMENSIONAL DATA**

SIZES AVAILABLE: 4" THROUGH 24" DIAMETER

<u>SIZE</u>	<u>HEIGHT</u>	<u>GAUGE</u>
4	7"	30GA
5	7"	30GA
6	7"	30GA
7	7"	30GA
8	7"	30GA
9	7"	30GA
10	7"	28GA
12	7"	28GA
14	7"	28GA
16	7"	28GA
18	7"	28GA
20	7"	28GA
22	7"	28GA
24	7"	28GA

**FABRICATION DATA**

**Material:**

ASTM-A653 CS Type B Galvanized Steel,  
 G-30 Coating LFQ Chemical Treatment

**Assembly:**

Starting Collars are assembled with 1/8" x 1/8" Zinc  
 Coated Steel Rivets

**Collar:**

Rolled formed and features 1 1/2 crimp and 3/8" Convex  
 Bead(s) for Branch Duct Connection

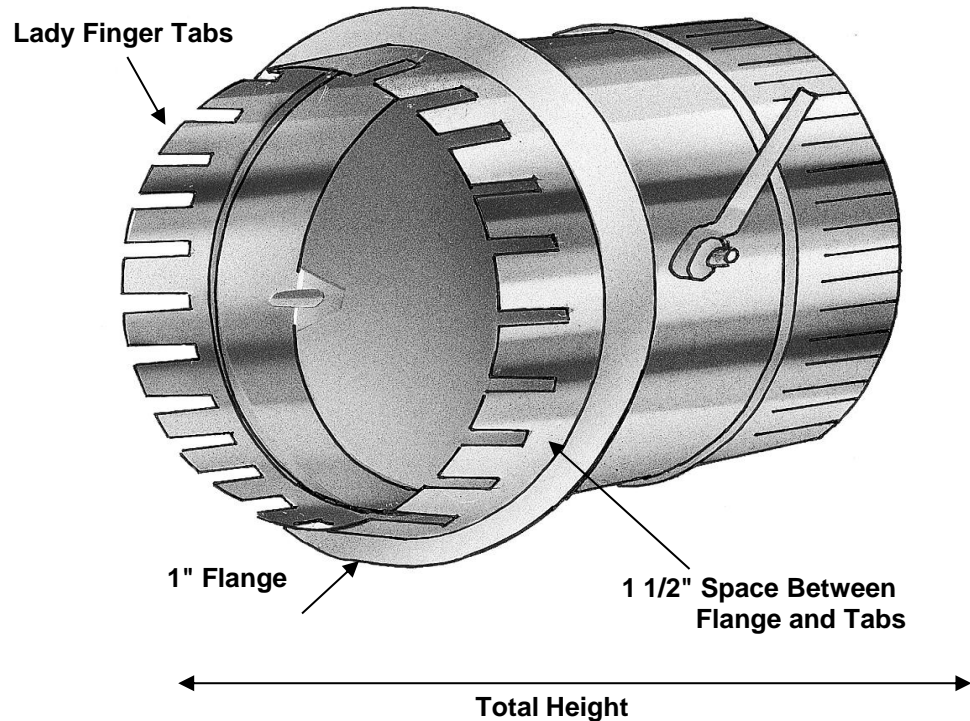
**Damper:**

Duro Dyne Rapit Regulator 5 piece w/ handle

**Flange:**

1" Wide - 30GA - Corrugated for added durability

Can be used with 1 1/2" - 2" Duct board



**Superior Quality, Superior Service, Superior Value.. that's the Royal Advantage**

**Superior Quality, Superior Service, Superior Value.. that's the Royal Advantage**