



100 Royal Way
 Temple, GA 30179
 Phone (800) 520-6593

SPECIFICATION DATA SHEET

11/10/2014

MODEL No. 310F
Starting Collar with Damper
for Duct Board

DIMENSIONAL DATA

SIZES AVAILABLE: 4" THROUGH 24" DIAMETER

<u>SIZE</u>	<u>HEIGHT</u>	<u>GAUGE</u>
4	6"	30GA
5	6"	30GA
6	6"	30GA
7	6"	30GA
8	6"	30GA
9	6"	30GA
10	6"	28GA
12	6"	28GA
14	6"	28GA
16	6"	28GA
18	6"	28GA
20	6"	28GA
22	6"	28GA
24	6"	28GA

FABRICATION DATA

Material:

ASTM-A653 CS Type B Galvanized Steel,
 G-30 Coating LFQ Chemical Treatment

Assembly:

Starting Collars are assembled with 1/8" x 1/8" Zinc
 Coated Steel Rivets

Collar:

Rolled formed and features 1 1/2 crimp and 3/8" Convex
 Bead(s) for Branch Duct Connection

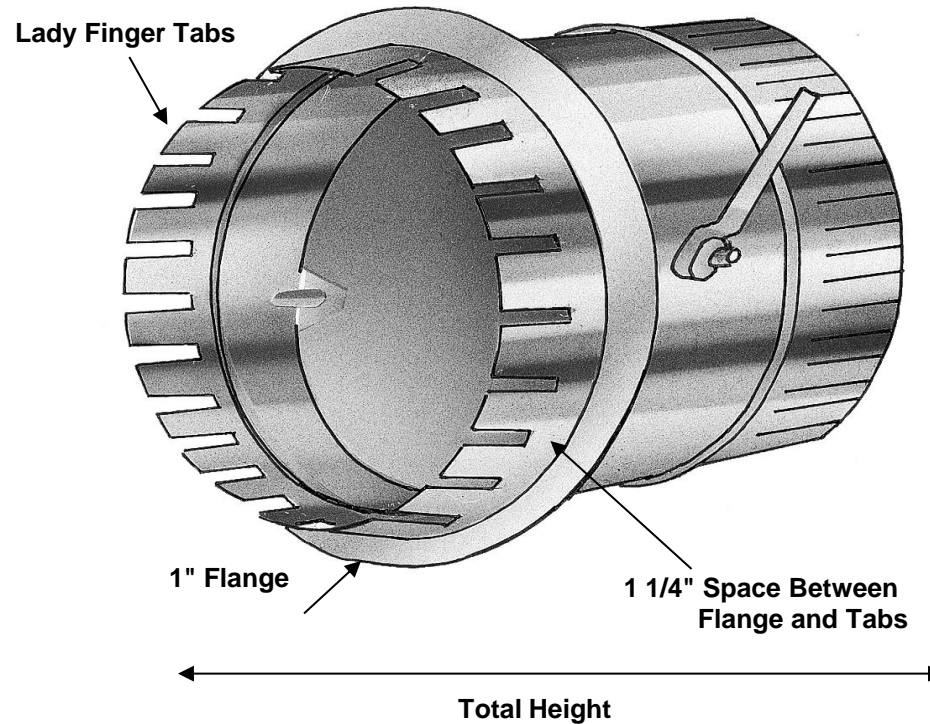
Damper:

Duro Dyne Rapit Regulator 5 piece w/ handle

Flange:

1" Wide - 30GA - Corrugated for added durability

Can be used with 1" - 1 1/2" Duct board



Superior Quality, Superior Service, Superior Value.. that's the Royal Advantage