



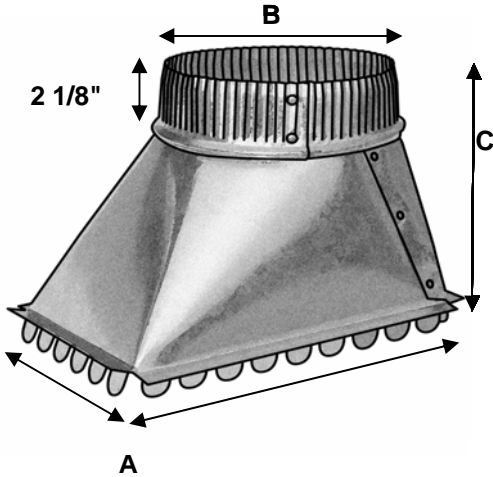
## HIGH EFFICIENCY TAKEOFF

MODEL(S): 309STR, 309SG, 309STRD

309SDG, 309SGRQ

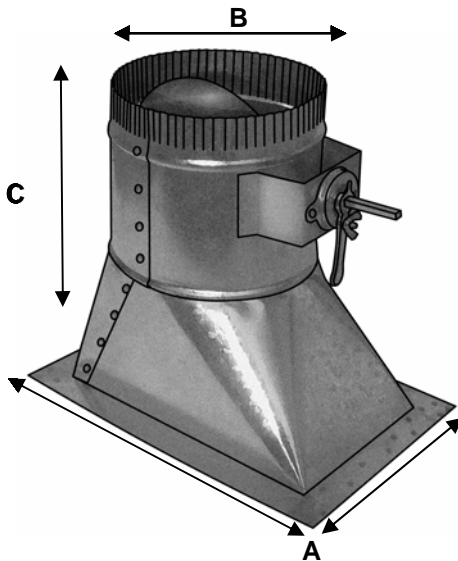
### Model(s) 309STR, 309SG

(shown with 1" Tabs)



### Model(s) 309STRD, 309SDG, 309SGRQ

(shown with 1" Gasketed Flange, Damper and Raised Quadrant)



### Dimensions

A	B	C	C
Register Size	Collar	Height	Ht. w/Damper
4" x 8"	4"	6 3/8"	8 1/2"
5" x 10"	5"	6 3/8"	8 1/2"
6" x 12"	6"	6 3/8"	8 1/2"
6" x 12"	7"	7 3/8"	9 1/2"
6" x 12"	8"	6 3/8"	8 1/2"
6" x 15"	9"	8 1/2"	11 1/4"
6 3/4" x 16"	10"	6 3/4"	9 1/2"
8 1/2" x 18"	12"	7 3/4"	10 1/2"
9 1/2" x 20"	14"	7 3/4"	10 1/2"
9 1/2" x 24"	16"	7 3/4"	10 1/2"
10 3/4" x 24"	18"	8.75"	11 1/2"

### Fabrication

Material: ASTM-A653 CS Type B

Gauge: 4" through 18" - 26GA Galvanized

Collar: Galvanized Steel

with Roll Formed .25" Beading

Assembly: Assembled with 1/8" x 5/32" Zinc Coated Steel Rivets

Insulation: Takeoff to be wrapped with Fiberglass Insulation by Contractor

### Available Options

Gasket: Fire Retardant Polyethylene Foam with Double Stick 3M Tape UL94 HF-1

Tabs: 1" Long - can be used with 1" - 1 1/2" Duct Board or Metal

Damper Hdw.: Available in Standard Regulator OR Raised Quadrant

#### Available Raised Quadrants:

Duro Dyne # 7206 ESO14R-200 1/4" Standoff Regulator for 2" wrap.

*(Cost & Dimensions will change if a 2" RQ is required)*

OR

Duro Dyne #7210 ESO38R-150 3/8" Standoff Regulator for 1 1/2" wrap

### Model Options

**Model 309STR:** High Efficiency Takeoff for Metal and Duct Board

**Model 309STRD:** High Efficiency Takeoff with Damper for Metal and Duct Board

**Model 309SG:** High Efficiency Takeoff with Airtite Gasket

**Model 309SDG:** High Efficiency Takeoff with Airtite Gasket and Standard Regulator Damper

**Model 309SGRQ:** High Efficiency Takeoff with Airtite Gasket and Raised Quadrant Damper