



100 Royal Way
Temple, GA 30179
Phone (800) 520-6593

SPECIFICATION DATA SHEET

Date: 10-29-14

MODEL No. 308DBL Double Top Takeoff

DIMENSIONAL DATA

Collar

A
6"

Opening Size

B x C
10" x 6"

FABRICATION DATA

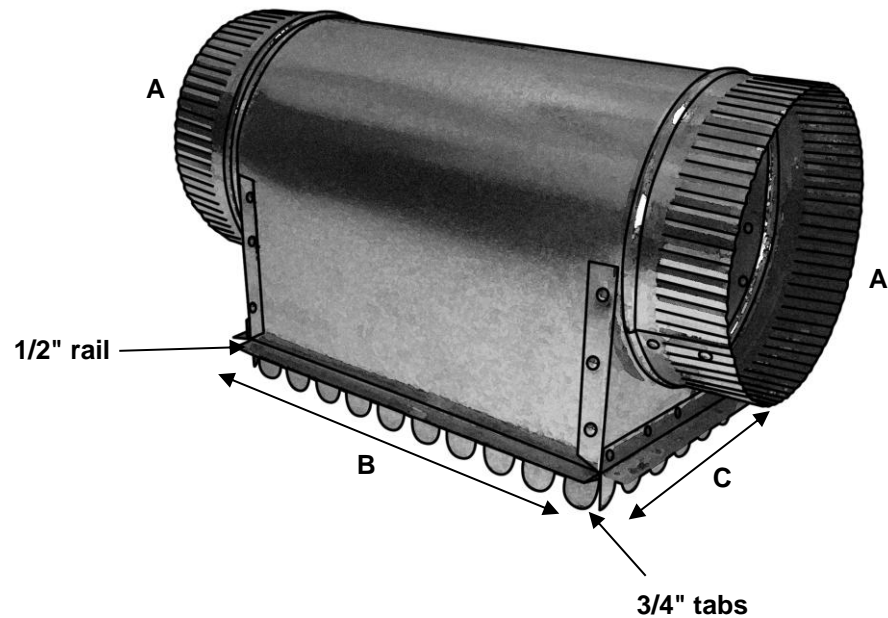
Material:

ASTM-A653 CS Type B Galvanized Steel
G-30 Coating LFQ Chemical Treatment

Gauge: 30GA

Assembly:

Assembled with C-115 2/16 Zinc coated Steel Rivets.
Tabs are 3/4" long for use with metal duct. The collar is attached with a collatch bead system.



*Ordered by collar size

Superior Quality, Superior Service, Superior Value.. that's the Royal Advantage