



100 Royal Way
Temple, GA 30179
Phone (800) 520-6593

SPECIFICATION DATA SHEET

Date: 11-25-2014

MODEL No. 307 Take Off W/ 2" Rise

DIMENSIONAL DATA

Sizes Available: 5" Through 7" Diameter

FABRICATION DATA

Material:

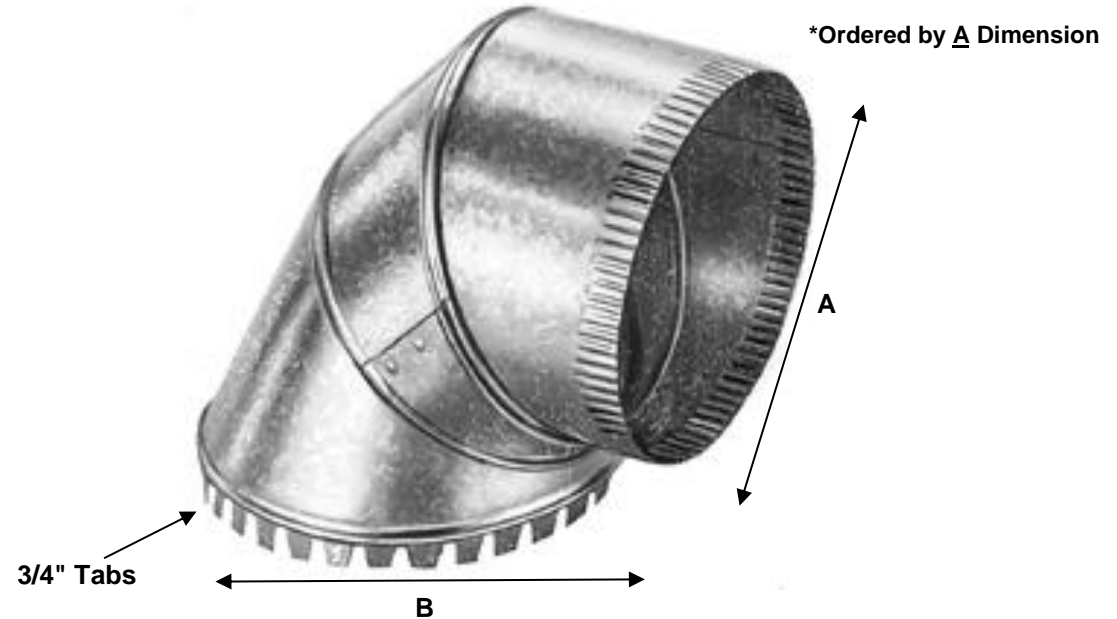
ASTM-A653 CS Type B Galvanized Steel with
G-30 Coating LFQ Chemical Treatment

Standard 30GA

<u>Diameter - A</u>	<u>B</u>
5"	6"
6"	7"
7"	8"

Assembly:

3 piece construction assembled with C-115 2/16" zinc coated steel rivets and crimped on one end.



Superior Quality, Superior Service, Superior Value.. that's the Royal Advantage