



100 Royal Way  
 Temple, GA 30179  
 Phone (800) 520-6593

**SPECIFICATION DATA SHEET**

Date: 11-25-14

**MODEL No. 306**  
**Adjustable Side Takeoff**

**DIMENSIONAL DATA**

<u>A</u>	<u>B</u>	<u>C</u>	<u>D</u>
4	4	8	8
5	6	6	9 3/4
6	6	8	8 1/2
7	6 1/8	8	10
8	6 1/4	10 1/8	10 1/2
9	6	14	13 1/2
10	6	14	15
12	6	15	16 1/2
14	10	16	20 1/2
16	8	17 3/8	21 1/4

**FABRICATION**

**Material:**

ASTM-A653 CS Type B Galvanized Steel  
 G-30 Coating LFQ Chemical Treatment

**Gauges:**

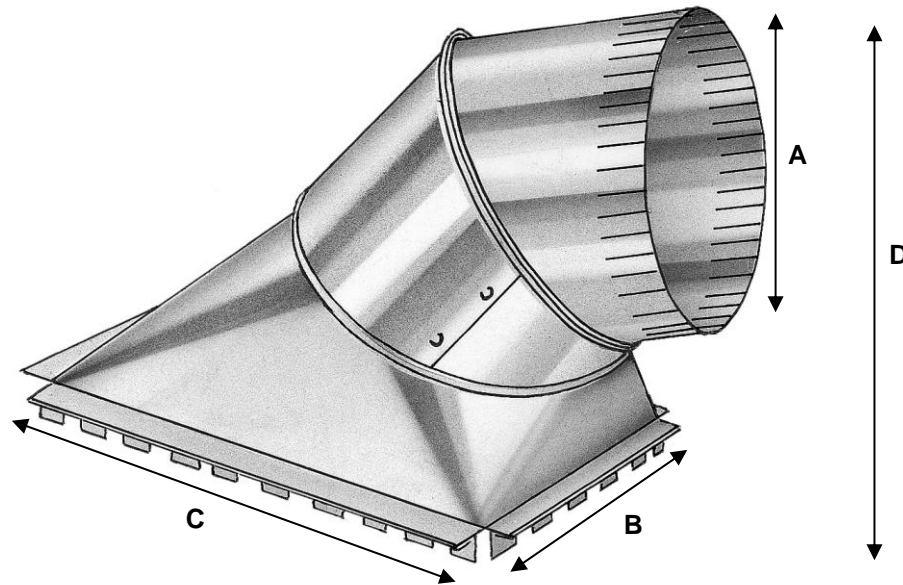
4" through 10" - 30GA  
 12" and up - 28GA

**Assembly:**

Assembled with C-115 2/16" Zinc Coated Steel Rivets.  
 Tabs are 3/4" long to be used with metal. The collar is a 45Deg angle attached using a bead system.

**OPTIONS**

306DB: for 1 1/2" Ductboard  
 306DB1: for 1" Ductboard



**Superior Quality, Superior Service, Superior Value.. that's the Royal Advantage**