



100 Royal Way
 Temple, GA 30179
 Phone (800) 520-6593

SPECIFICATION DATA SHEET

Date: 11-25-2014

**MODEL No. 301
 Plenum**

DIMENSIONAL DATA: Sized as required

<u>Length</u>	<u>Width</u>	<u>Height</u>
A	B	C

FABRICATION

Material:

ASTM-A653 CS type B Galvanized Steel
 G-30 Coating L.F.Q Chemical Treatment

Gauges: 28GA -STD
 26GA
 24GA

Assembly:

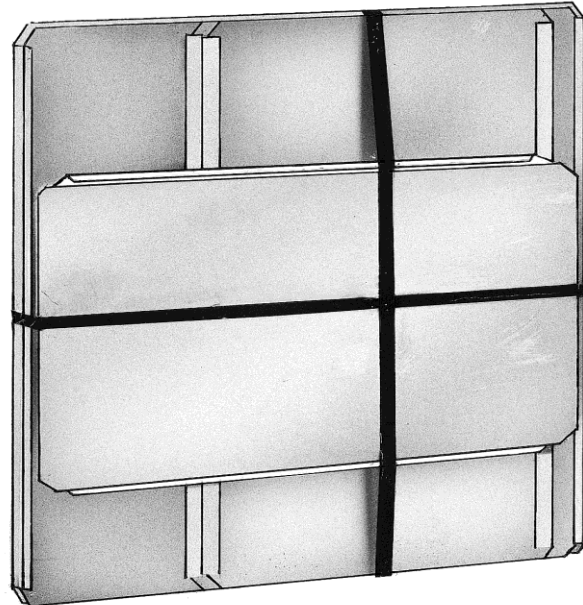
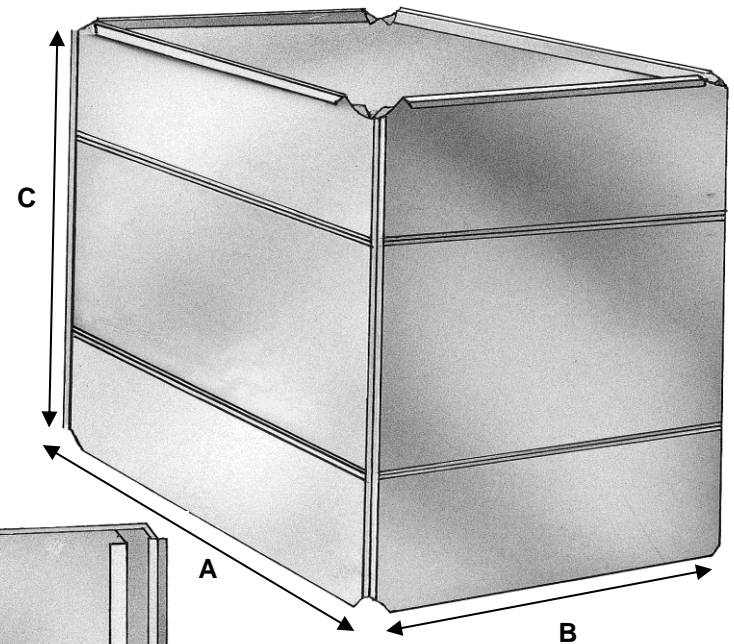
Button punch snaplock longitudinal seam with recessed type end cap.

Options:

Lined w/ R4 Insulation
 Lined w/ R6 Insulation
 w/Filter Rack
 Flange available upon request

Plenums are shipped unassembled and banded together with 4 sides and an end cap.

*Standard Plenum is unlined



Superior Quality, Superior Service, Superior Value.. that's the Royal Advantage