



100 Royal Way
 Temple, GA 30179
 Phone (800) 520-6593

SPECIFICATION DATA SHEET

Date: 11/6/2014

**MODEL No. 300
 Wall Cap**

DIMENSIONAL DATA

SIZES AVAILABLE: 4" THROUGH 12" DIAMETER

| <u>A</u> | <u>B</u> | <u>C</u> |
|----------|----------|----------|
| 4 | 7 | 3.5 |
| 5 | 8 | 3.5 |
| 6 | 9 | 3.5 |
| 7 | 10 | 3.5 |
| 8 | 11 | 3.5 |
| 9 | 14 | 3.5 |
| 10 | 15 | 3.5 |
| 11 | 16 | 3.5 |
| 12 | 17 | 3.5 |

FABRICATION DATA

Material:

ASTM-A653 CS Type B Galvanized Steel
 G-30 Coating LFQ Chemical Treatment

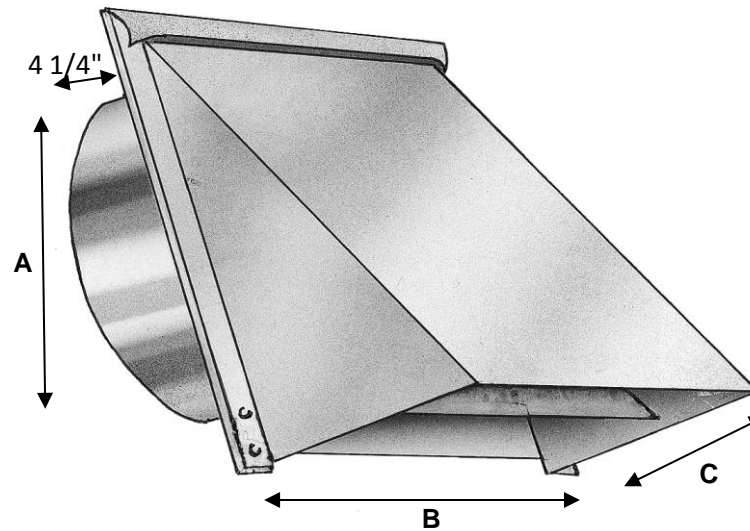
Gauge: 28GA

Assembly:

Wall cap is spot welded together

OPTIONS

- 300: with damper and 4 1/4" ext- STANDARD
- 300S: with screen only and 4 1/4" ext
- 300SD: with screen and damper and 4 1/4" ext
- 300D: with damper and 12" extention
- 300DSD: with screen, damper and 12" extension



Superior Quality, Superior Service, Superior Value.. that's the Royal Advantage