



100 Royal Way
 Temple, GA 30179
 Phone (800) 520-6593

SPECIFICATION DATA SHEET

Date: 10/30/14

MODEL No. 272
Bullhead Wye

DIMENSIONAL DATA

A	B	C	D
4	3	4 3/4"	1 1/2"
5	4	5 1/2"	1"
6	4	5 1/4"	1 1/2"
6	5	6"	1"
7	5	5 3/4"	1 1/2"
7	6	7 1/2"	2"
8	6	6 3/4"	1"
9	7	8 3/4"	1 1/2"
10	7	8 1/4"	2"
10	8	9 1/2"	1 1/2"
12	8	11"	4"
12	10	11 1/2"	1"
12	12	13 1/2"	1 1/2"
14	10	12"	2"
14	12	14"	2"
14	14	15"	2 1/2"
16	14	15 1/2"	2 1/2"
18	16	17"	3"

FABRICATION DATA

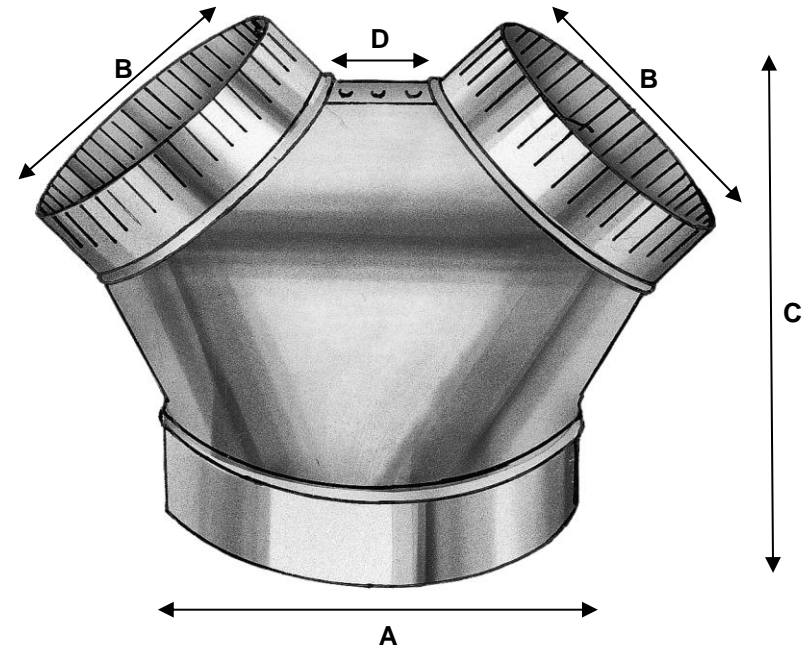
Material:

ASTM-A653 CS Type B Galvanized Steel,
 G-30 Coating LFQ Chemical Treatment

Size: Gauge:

4" - 8" 30GA
 9" - 12" 28GA
 14" - 18" 26GA

The body of the Wye is roll formed and rivited together with C-115 2/16 zinc coated steel rivets. The collar is 2 1/4" tall and is attached to the bottom of the Wye. Two 2" crimped collars are attached to the branches of the Wye.



Superior Quality, Superior Service, Superior Value.. that's the Royal Advantage