



100 Royal Way
Temple, GA 30179
Phone (800) 520-6593

SPECIFICATION DATA SHEET

Date: 12/13/13

MODEL No. 261S Starting Collar for Metal

DIMENSIONAL DATA

SIZES AVAILABLE: 4" THROUGH 24" DIAMETER

Standard Gauge:

4" through 24" 30GA Galvanized Steel

FABRICATION DATA

Material:

ASTM-A653 CS Type B Galvanized Steel,
G-30 Coating LFQ Chemical Treatment

Assembly:

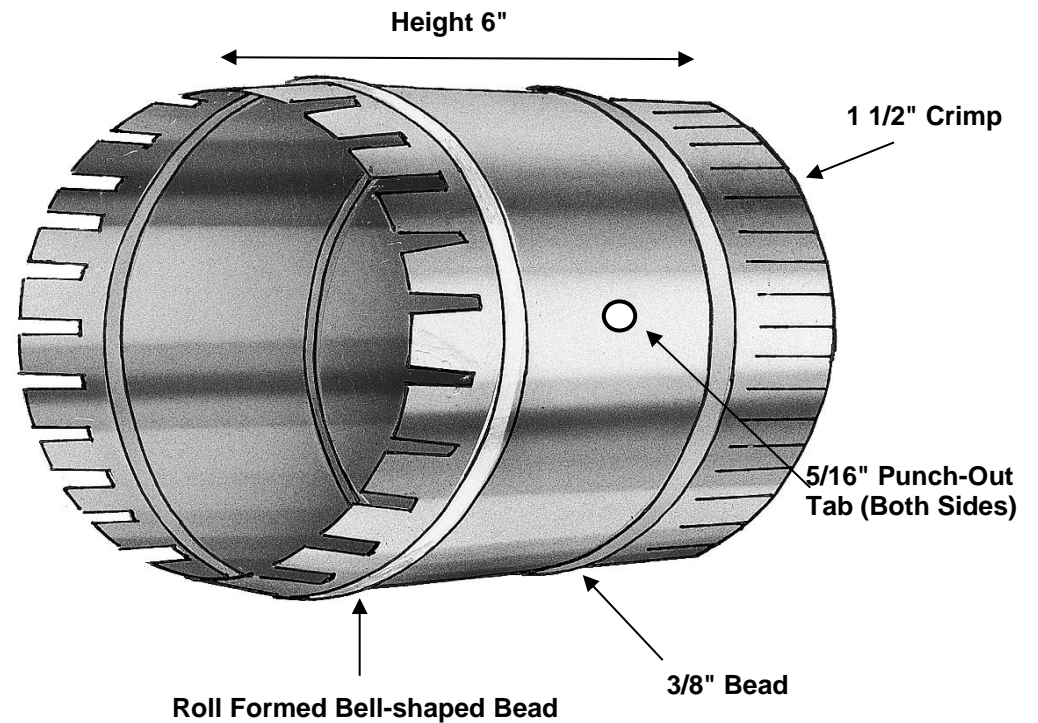
Starting Collars are assembled with 1/8" x 1/8" Zinc
Coated Steel Rivets

Collar:

Rolled formed to a bell-shaped bead and features 1 1/2"
crimp and 3/8" convex bead for branch duct connection.

Options:

261SL - 1 1/8" Tabs available 4" through 20"



Superior Quality, Superior Service, Superior Value.. that's the Royal Advantage