



100 Royal Way
 Temple, GA 30179
 Phone (800) 520-6593

SPECIFICATION DATA SHEET

11/10/2014

MODEL No. 260F
Starting Collar for Duct Board

DIMENSIONAL DATA

SIZES AVAILABLE: 4" THROUGH 24" DIAMETER

<u>Size</u>	<u>Total Height</u>	<u>Gauge</u>
4	7"	30GA
5	7"	30GA
6	7"	30GA
7	7"	30GA
8	7"	30GA
9	7"	30GA
10	7"	28GA
12	7"	28GA
14	7"	28GA
16	7"	28GA
18	7"	28GA
20	7"	28GA
22	7"	28GA
24	7"	28GA

FABRICATION DATA

Material:

ASTM-A653 CS Type B Galvanized Steel,
 G-30 Coating LFQ Chemical Treatment

Assembly:

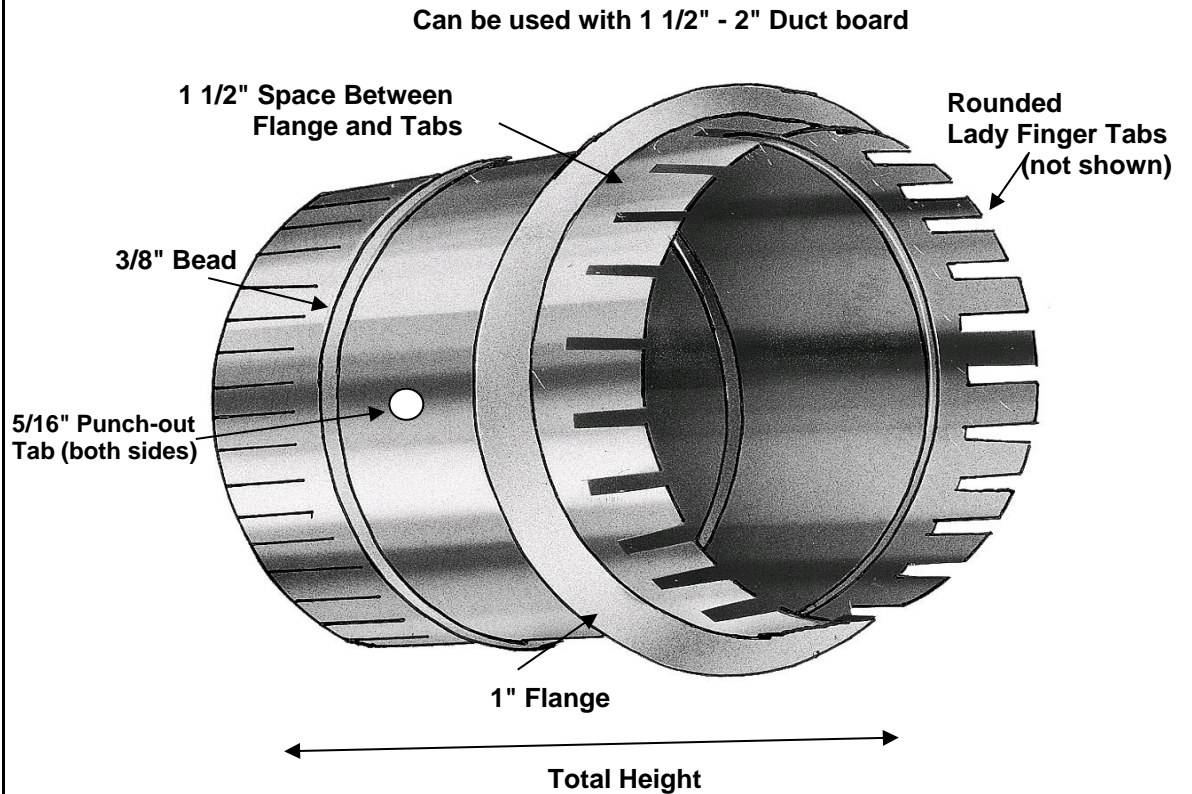
Starting Collars are assembled with 1/8" x 1/8" Zinc Coated Steel Rivets

Collar:

Rolled formed and features 1 1/2 crimp and 3/8" Convex Bead(s) for Branch Duct Connection

Flange:

1" Wide - 30GA - Corrugated for added durability



Superior Quality, Superior Service, Superior Value.. that's the Royal Advantage