

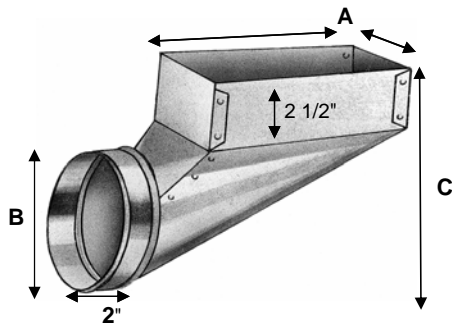


END, RIGHT OR LEFT REGISTER BOOT

MODEL(S): 244, 244R, 244L

Model 244

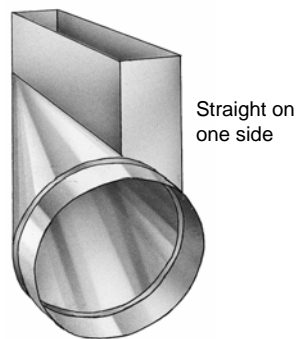
Center End Register Boot



<u>A</u> <u>Register Size</u>	<u>B</u> <u>Collar Size</u>	<u>C</u> <u>Total Body Height</u>
2 x 10	4	6 1/2
2 x 10	5	7 1/2
2 x 10	6	8 1/2
2 x 12	6	8 1/2
2 x 12	7	9 1/2
4 x 8	5	7 1/2
4 x 10	4	6 1/2
4 x 10	5	7 1/2
4 x 10	6	8 1/2
4 x 10	7	9 1/2
4 x 10	8	10 1/2
4 x 12	6	8 1/2
4 x 12	7	9 1/2
4 x 12	8	10 1/2
4 x 14	6	8 1/2
4 x 14	7	9 1/2
6 x 10	4	6 1/2
6 x 10	5	7 1/2
6 x 10	6	8 1/2
6 x 10	7	9 1/2
6 x 10	8	10 1/2
6 x 12	6	8 1/2
6 x 12	7	9 1/2
6 x 12	8	10 1/2
6 x 14	6	8 1/2
6 x 14	7	9 1/2
6 x 14	8	10 1/2

Model 244 L/R (244R Shown)

Left or Right End Register Boot



Fabrication

Material: ASTM-A653 CS Type B Galvanized Steel

Assembly: Assembled with 1/8" x 5/32" Zinc Coated Steel Rivets

Features: **244** has a 1/8" Hem on both Collar and Register Openings. A Royal Plaster Frame may be used to Hang the Boot in a Ceiling Mount.

244F has a 1" Outboard Flange around the Perimeter of the Register Opening with a 5/8" Drywall Edge. Royal Boot Rails may be used to Hang the Boot in a Ceiling Mount.

Insulation: Boot to be wrapped with Fiberglass Insulation by Contractor