



100 Royal Way
 Temple, GA 30179
 Phone (800) 520-6593

SPECIFICATION DATA SHEET

Date: 1/6/2014

MODEL No. 243/243F
90 Degree Register Boot

DIMENSIONAL DATA

A	B	C	D
Register	Collar	Length	Total Height
2 1/4" x 10"	4", 5"	9"	3 1/2"
4" x 8"	5"	10 1/2"	5 1/4"
4" x 10"	4", 5", 6"	9"	5"
4" x 12"	6"	10 1/2"	5"
4" x 12"	7"	9 1/2"	5"
4" x 12"	8"	9"	7"
4" x 14"	8"	10"	6 1/4"
6" x 8"	6"	10 1/2"	5 1/2"
6" x 10"	5"	11 1/2"	5"
6" x 10"	6"	12"	5 1/2"
6" x 10"	7"	12"	6"
6" x 12"	7"	11"	6"
6" x 12"	8"	12"	7"
6" x 12"	9"	12 1/2"	5 1/2"
6" x 14"	7"	11 1/2"	6 1/4"
6" x 14"	8"	12"	6 1/2"

FABRICATION DATA

Material:
 ASTM-A653 CS Type B Galvanized Steel, 30GA
 G-30 Coating LFQ Chemical Treatment

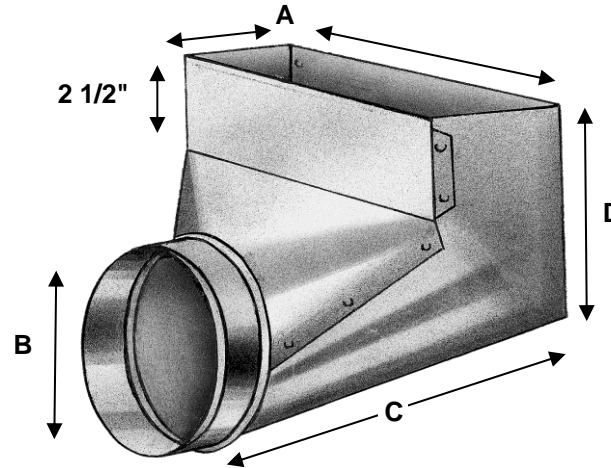
Assembly:
 Assembled with C-115 2/16 zinc coated steel rivets

Features:

243: An 1/8" hem on both collar and register openings. A Royal plaster frame may be used to hang the boot in a ceiling mount.

243F: A 1" flange around the perimeter of the register opening with a 5/8" drywall edge. Royal boot rails may be used to hang the boot in a ceiling mount.

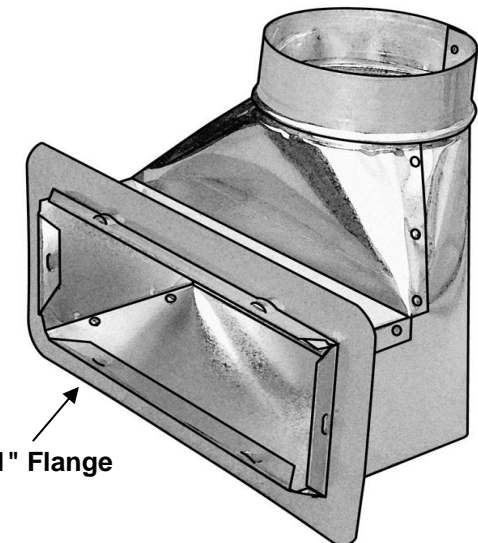
Model 243
90° Register Boot



Accessories:
Plaster Frame
 Available in 24" and 26" length



Model 243F
Center-Tapered 90° Register Boot W/ Flange



Accessories:
Boot Rails
 Available in 24" and 26" length
 Item# 100324 (24")
 Item# 100326 (26")

