



100 Royal Way
 Temple, GA 30179
 Phone (800) 520-6593

SPECIFICATION DATA SHEET

Date: 1/6/14

**MODEL No. 222/223
 Stackhead**

DIMENSIONAL DATA

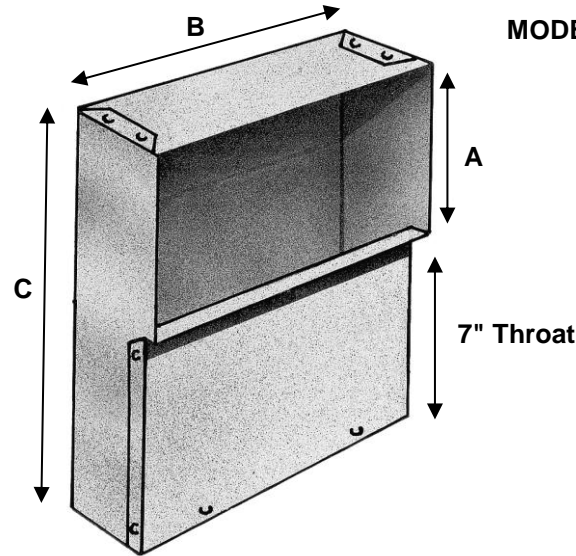
Model No.	<u>A</u>	<u>B</u>	<u>C</u>
222	4	10	10
	4	12	10
	4	14	10
	6	10	12
	6	12	12
	6	14	12
	8	14	14
	223	4	10
4		12	16
4		14	16
6		10	18
6		12	18
6		14	18
8		14	20

FABRICATION DATA

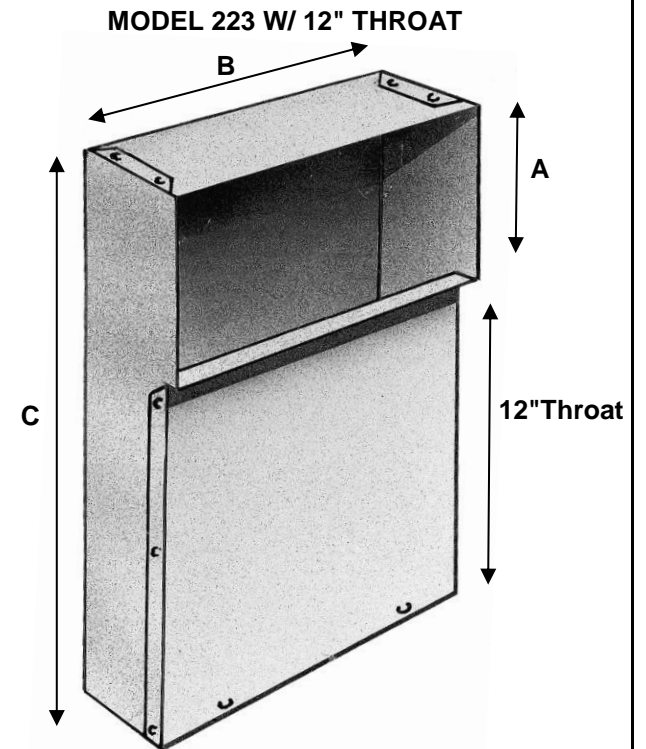
Material:
 ASTM-A653 CS Type B Galvanized Steel,
 G-30 Coating LFG Chemical Treatment 30GA

Assembly:
 Stackhead are assembled with 1/8" x 1/8" zinc coated
 steel rivets.

Options:
 221 Stackhead with 3" Throat



MODEL 222 W/ 7" THROAT



MODEL 223 W/ 12" THROAT

Superior Quality, Superior Service, Superior Value.. that's the Royal Advantage